

# Hustler<sup>®</sup> Raptor<sup>®</sup> CE Parts Manual



**HUSTLER<sup>®</sup>**  
ENGINEERING PERFORMANCE<sup>™</sup>

200 South Ridge Road  
Hesston, Kansas  
67062



---

# Table of Contents

## General Information

Service Literature . . . . .	1-1
Options Available From Your Dealer . . . . .	1-1
Using This Manual . . . . .	1-1
Hardware Description Codes & Abbreviations . . . . .	1-2
Standard Torques . . . . .	1-2

## Section 2

36" Frame—Kawasaki Engines . . . . .	2-2
42"/52" Frame—Kawasaki Engines . . . . .	2-4
Fenders & Instrument Panel, Kawasaki Engines . . . . .	2-6
Battery . . . . .	2-8

## Section 3

Transmission Assembly . . . . .	3-2
Transmission Service Parts . . . . .	3-6
Steering & Brake . . . . .	3-8
Steering Cover Assembly . . . . .	3-10

## Section 4

Wheel & Tire, 36" Mowers . . . . .	4-2
Wheel & Tire, 42"/52" Mowers . . . . .	4-4
LS Front Wheel Breakdown . . . . .	4-6
RS Front Wheel Breakdown . . . . .	4-8
Drive Wheel Breakdown . . . . .	4-10

## Section 5

Engine, Kawasaki FR541V . . . . .	5-2
Engine, Kawasaki FR651V . . . . .	5-6
Engine Service Parts, FR541V . . . . .	5-10
Engine Service Parts FR651V . . . . .	5-11
Fuel System . . . . .	5-12

## Section 6

36" Service Deck . . . . .	6-2
36" Deck Pulleys & Spindles . . . . .	6-4
36" Deck . . . . .	6-6
42" Service Deck . . . . .	6-8
42" Deck Pulleys & Spindles . . . . .	6-10
42" Deck . . . . .	6-12
36"/42" Deck Lift . . . . .	6-14
52" Service Deck . . . . .	6-16
52" Deck Pulleys & Spindles . . . . .	6-18
52" Deck . . . . .	6-20
52" Deck Lift . . . . .	6-22

## Section 7

Seat—Without Armrests . . . . .	7-2
Seat With Armrests, Solid . . . . .	7-4
Seat Service Parts, With Armrests, Solid . . . . .	7-6



---

# General Information

This manual covers Hustler® Raptor® models: **938274CE, 938316CE, & 938324CE.**

---

## **Service Literature**

<b>PART NO.</b>	<b>DESCRIPTION</b>
604220	OPERATOR'S MANUAL
117371	WARRANTY STATEMENT
117373	GENERAL SERVICE MANUAL

---

## **Options Available From Your Dealer**

<b>PART NO.</b>	<b>DESCRIPTION</b>
124458	36" MULCH KIT
124448	42" MULCH KIT
124443	52" MULCH KIT
121472	52" STRIPE KIT
122760	STEERING LEVER EXTENSION KIT
937441	2-BAG CATCHER
604436	ARMREST KIT
117703	HOUR METER KIT
799288	FLEX FORKS KIT
117682	LIGHT KIT

*Note: When ordering parts, you must use the part number as shown for each part, not the index number. Always give the model and serial number to your parts and service representative.*

*Note: Items sold in bulk such as seals and hoses are sold by the foot.*

---

## **Using This Manual**

*This manual is part of a service package for the Hustler® mowers. Use of this manual in conjunction with other Hustler® mower and component manuals will provide the information necessary to service and maintain Hustler® mowers.*

*This Parts Manual provides a complete parts listing for the unit. Use this manual when ordering parts. Illustrations used were current at the time of printing, but subsequent production changes may cause your machine to vary slightly in detail. Excel Industries, Inc. reserves the right to redesign and change the machine as deemed necessary, without notification. If a change has been made to your machine which is not reflected in this parts manual, see your authorized dealer for current information and parts.*

*The Service Manual is a service guide for use by Service Technicians. It provides the necessary information needed to perform normal maintenance requirements on these units.*

*The Operator's Manual provides fundamental operational information and operational safety that is needed when operating the mower.*

*The component manuals are furnished by the various manufacturers to be used for the troubleshooting and servicing of their products.*

---

## **Hardware Description Codes & Abbreviations**

The following codes are used throughout this parts manual. Refer to this list when ordering parts.

<b>ABBREVIATION</b>	<b>DESCRIPTION</b>	<b>ABBREVIATION</b>	<b>DESCRIPTION</b>
CB	CARRIAGE BOLT	MB	MACHINE BUSHING
CE	CLEVIS PIN	MS	MACHINE SCREW
CN	CLIP NUT	NT	NUT
CP	COTTER PIN	SC	SELF TAPPING CAP SCREW
CS	CAP SCREW	SH	SOCKET HEAD
CW	CUP WASHER	SB	SHOULDER BOLT
FDRW	FENDER WASHER	SS	SET SCREW
FW	FLAT WASHER	OD	OUTSIDE DIAMETER
HX	HEX HEAD	ID	INSIDE DIAMETER
LW	LOCK WASHER	WN	WELD NUT

---

## **Standard Torques**

The following chart lists the standard torque values for the threaded fasteners found in this manual. Torque all cap screws, nuts and set screws to these values unless a different torque is shown in the Notes section next to the fastener.

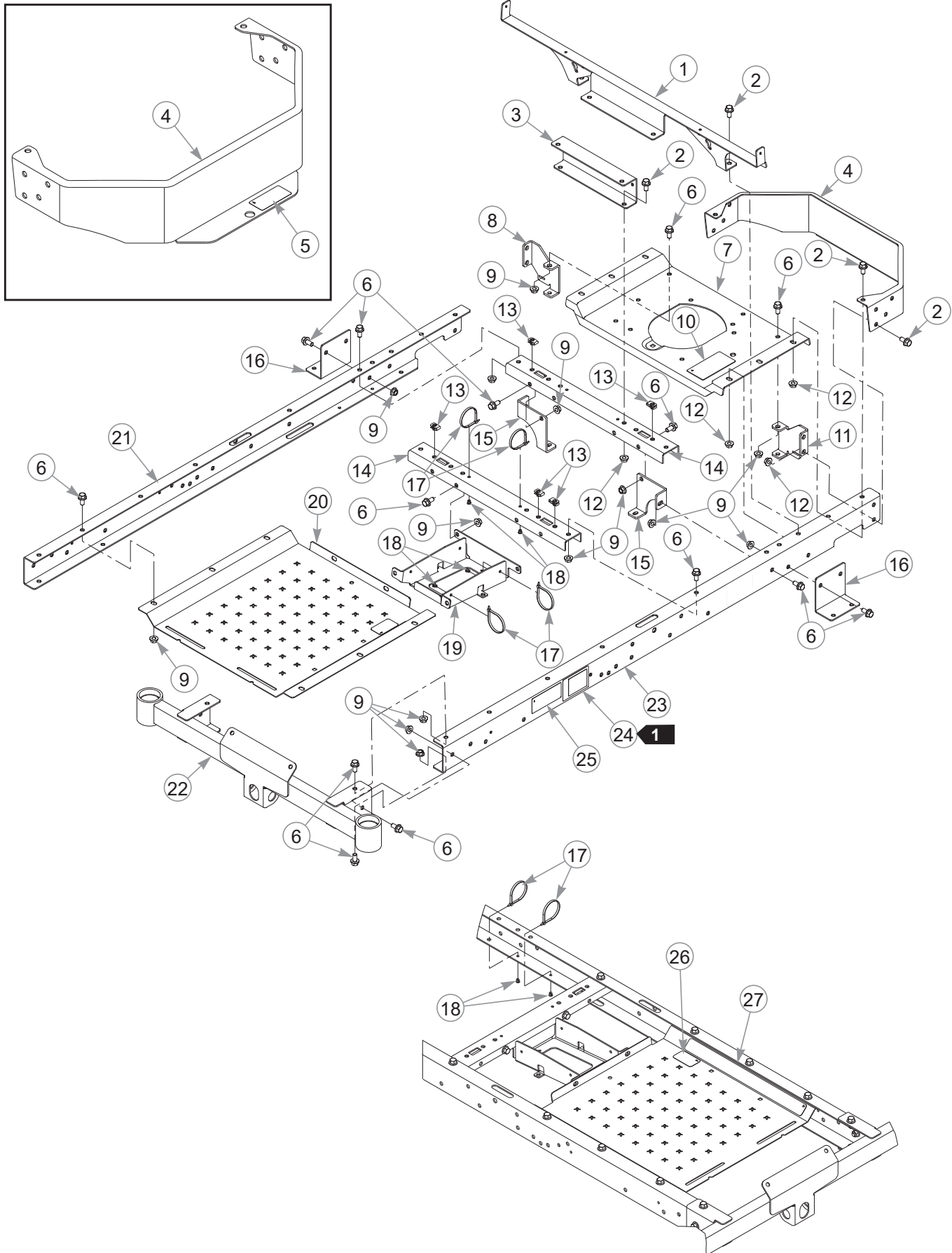
<b>SIZE</b>	<b>FT-LBS</b>	<b>N•M</b>	<b>SIZE</b>	<b>FT-LBS</b>	<b>N•M</b>
.250	8.2	11.1	M3	1	1.3
.312	17	23	M4	2.2	3
.375	30	40	M5	4.5	6.1
.438	48	65	M6	7.7	10.4
.500	73	99	M8	18.5	25
.562	105	143	M10	37	50
.625	145	200	M12	64	87
.750	260	350	M14	80	108.5
.875	420	565	M16	160	215
1.00	625	850	M20	320	435
			M24	555	750

---

## Section 2

36" Frame—Kawasaki Engines . . . . .	2-2
42"/52" Frame—Kawasaki Engines . . . . .	2-4
Fenders & Instrument Panel, Kawasaki Engines . . . . .	2-6
Battery . . . . .	2-8

# 36" Frame—Kawasaki Engines





---

## **36" Frame—Kawasaki Engines**

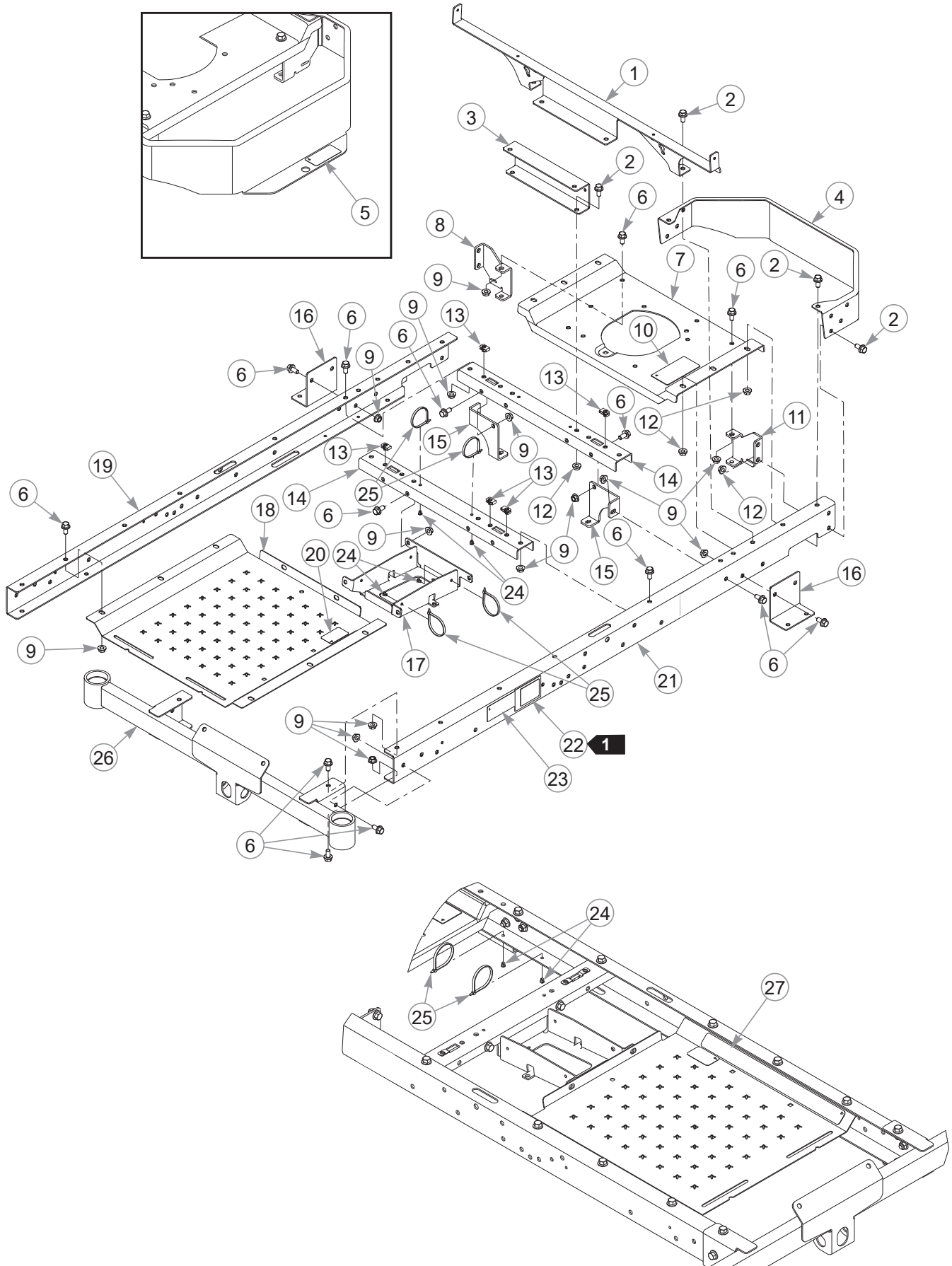
INDEX NO.	PART NO.	QTY.	DESCRIPTION
1	123637-3	1	SEAT SUPPORT
2	029629	10	CS .375-16 X .75 HX FLK
3	123636-3	1	SPRING SUPPORT
4	553148	1	BUMPER (WITH DECAL)
5	602041	1	HOT DECAL
6	604176	30	CS .375-16 X .75 HX FLK PLN
7	551858	1	ENGINE PLATE (WITH DECAL)
8	551859	1	RS REAR BRACKET
9	604177	30	NT .375-16 HX FLK PLN
10	600899	1	PUMP BELT WARNING DECAL
11	551860	1	LS REAR BRACKET
12	016899	10	NT .375-16 HX FLK G5
13	601982	5	CN .250-20 X .15 MAX THK
14	551861	2	CROSS SUPPORT
15	551862	2	RS FRONT BRACKET
16	551863	2	HYDRO BRACKET
17	000331	6	WIRE TIE
18	604307	6	PUSH BUTTON MOUNT
19	551864	1	BATTERY TRAY
20	551865	1	FOOT PAN (WITH DECALS)
21	551866	1	RS FRAME CHANNEL
22	552704	1	FRONT CROSS FRAME
23	551868	1	LS FRAME CHANNEL (WITH DECALS)
24	N/A	1	SERIAL NUMBER / SPEC DECAL
25	601967	1	ENGINE COMPARTMENT DECAL
26	605782	1	LEVEL FUEL FILL DECAL
27	601981	1	SAFE OPERATION DECAL

---

### **NOTES:**

1. Serial number decal. In the event the serial number decal becomes damaged or illegible, please contact your dealer to order a replacement.
2. Torque all hardware to a minimum of 49 N•m.

# 42"/52" Frame—Kawasaki Engines



---

## **42"/52" Frame—Kawasaki Engines**

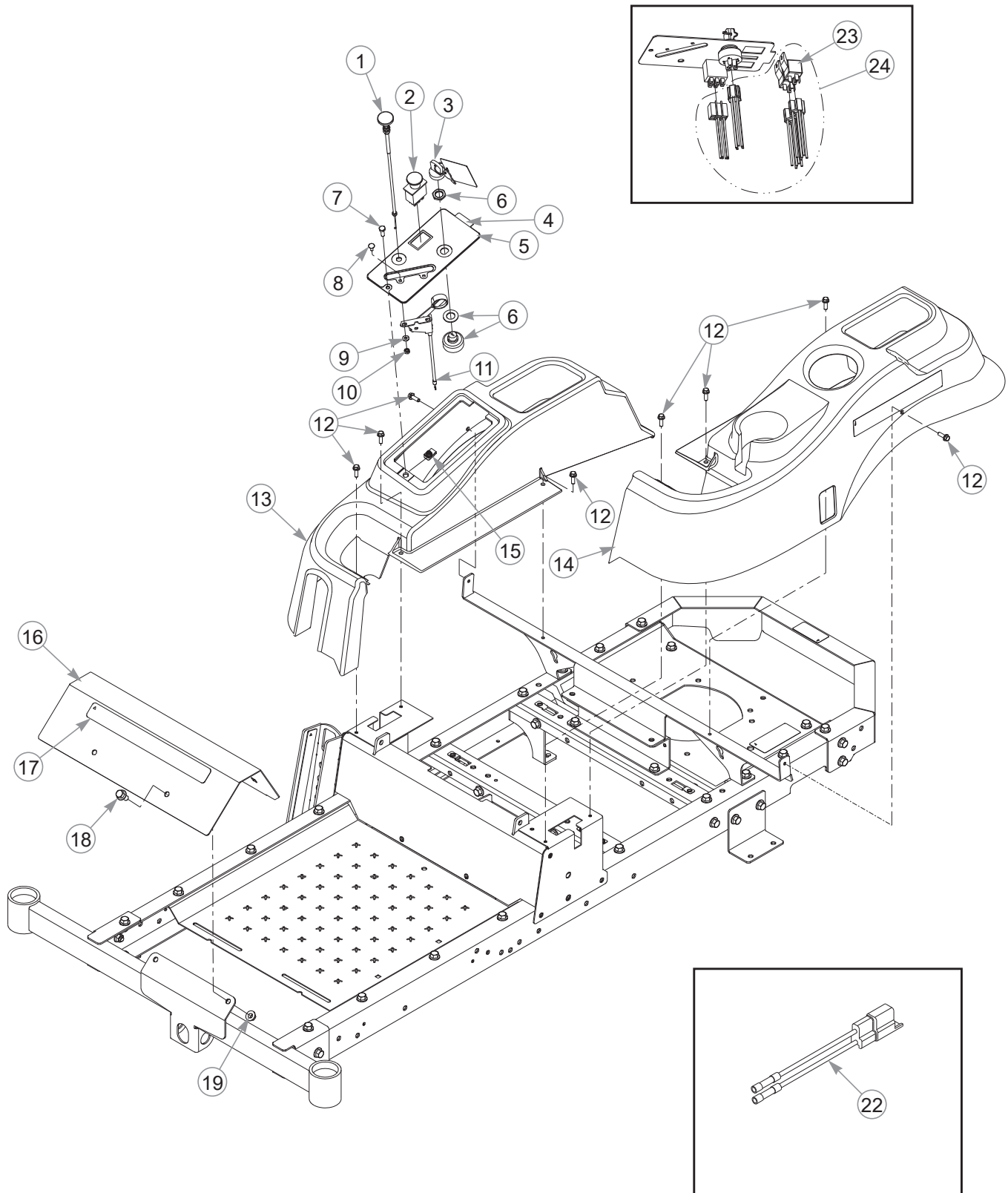
INDEX NO.	PART NO.	QTY.	DESCRIPTION
1	123637-3	1	SEAT SUPPORT
2	029629	10	CS .375-16 X .75 HX FLK
3	123636-3	1	SPRING SUPPORT
4	553148	1	BUMPER (WITH DECAL)
5	602041	1	HOT DECAL
6	604176	30	CS .375-16 X .75 HX FLK PLN
7	551858	1	ENGINE PLATE (WITH DECALS)
8	551859	1	RS REAR BRACKET
9	604177	30	NT .375-16 HX FLK PLN
10	600899	1	PUMP BELT WARNING DECAL
11	551860	1	LS REAR BRACKET
12	016899	10	NT .375-16 HX G5 FLK
13	601982	5	CN .250-20 X .15 MAX THK
14	551861	2	CROSS SUPPORT
15	551862	2	RS FRONT BRACKET
16	551863	2	HYDRO BRACKET
17	552570	2	BATTERY TRAY
18	551865	1	FOOT PAN (WITH DECALS)
19	551866	1	RS FRAME CHANNEL (WITH DECAL)
20	605782	1	LEVEL FUEL FILL DECAL
21	551868	1	LS FRAME CHANNEL (WITH DECALS)
22	N/A	1	SERIAL NUMBER / SPEC DECAL
23	601967	1	ENGINE COMPARTMENT DECAL
24	604307	6	PUSH BUTTON MOUNT
25	000331	6	WIRE TIE
26	551867	1	FRONT CROSS FRAME
27	601981	1	SAFE OPERATION DECAL

---

### **NOTES:**

1. Serial number decal. In the event the serial number decal becomes damaged or illegible, please contact your dealer to order a replacement.
2. Torque all hardware to a minimum of 49N•m.

# **Fenders & Instrument Panel, Kawasaki Engines**



---

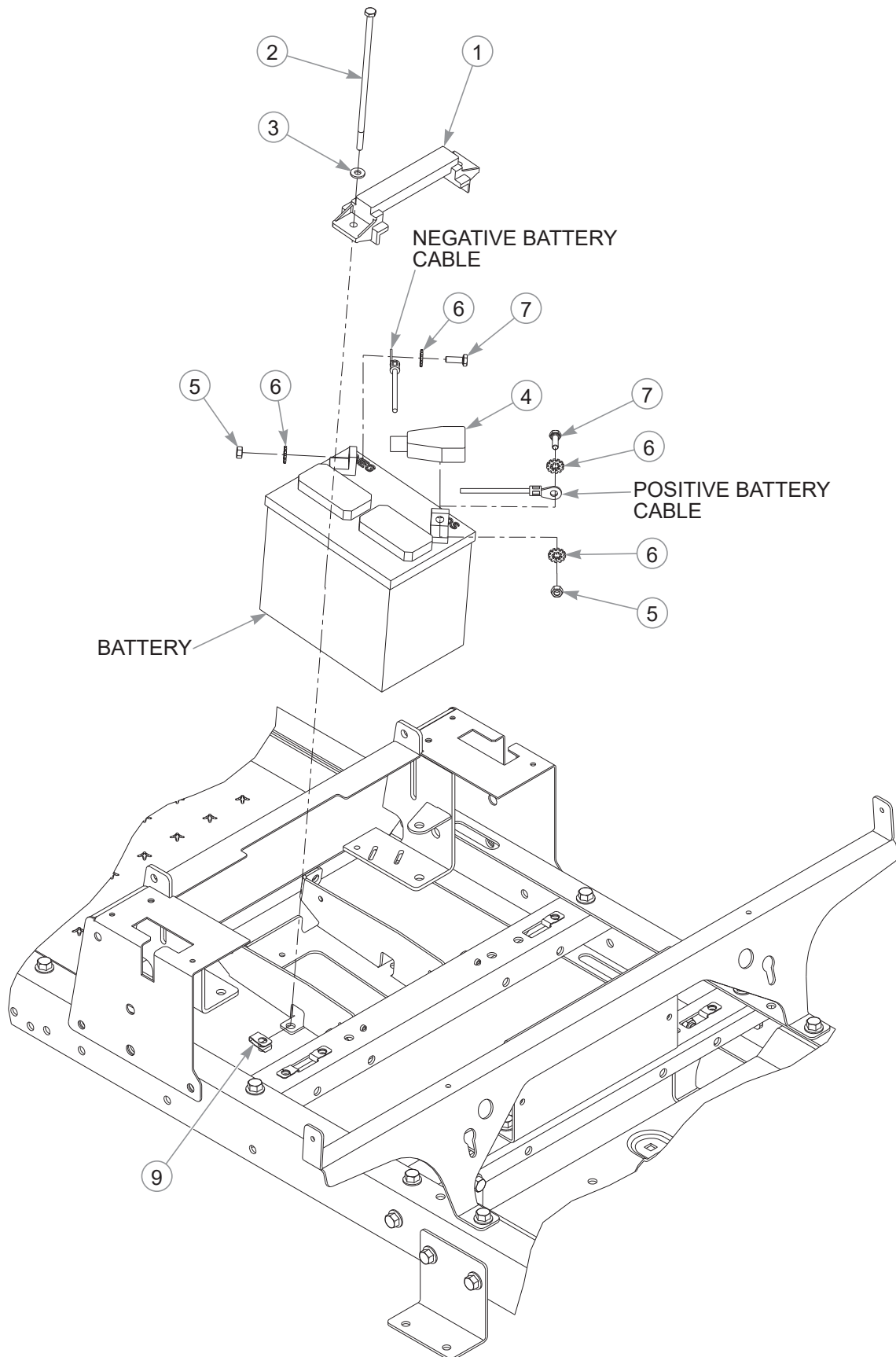
## ***Fenders & Instrument Panel, Kawasaki Engines***

INDEX NO.	PART NO.	QTY.	DESCRIPTION
1	601097	1	CHOKE CABLE
2	776476	1	PTO SWITCH
3	785808	1	KEY ASSEMBLY
4	551898	1	INSTRUMENT PANEL (WITH DECAL)
5	604196	1	INSTRUMENT PANEL DECAL
6	045898	1	IGNITION SWITCH
7	055939	1	CS .250-20 X .75 HX G5
8	601098	2	CB 10-24 X .500 ZYNC
9	704932	2	FW .219 X .50 X .048
10	059832	2	NT #10-24 HX NL ZN
11	601096	1	THROTTLE CABLE
12	604324	8	CS .250-20 X .75 HX FLG
13	552809	1	RS FENDER (WITH DECAL)
14	552810	1	LS FENDER (WITH DECAL)
15	601982	1	CN .250-20 X .15 MAX THK
16	553505	1	FOOTREST (WITH DECAL)
17	602407	1	HUSTLER ID DECAL
18	029629	2	CS .375-16 X .75 HX FLK
19	016899	2	NT .375-16 HX G5 FLK
20	000331	2	WIRE TIE (NOT SHOWN)
21	604388	2	FENDER DECAL
22	114052	1	CLUTCH CONNECTOR REPAIR KIT
23	601053	2	SEALED RELAY (WITH BRACKET)
24	604876	1	WIRE HARNESS

---

### **NOTES:**

# Battery



---

# **Battery**

INDEX NO.	PART NO.	QTY.	DESCRIPTION
1	604178	1	TIE DOWN STRAP
2	604465	2	CS .250-20 X 7.50 HX G5
3	768515	2	FW .281 X .625 X .066
4	771428	1	RED BATTERY CABLE BOOT
5	024927	2	NT .250-20 HX G5
6	029868	4	LW .250 INT-EXT TOOTH Z
7	055939	2	CS .250-20 X .75 HX G5
8	000331	2	WIRE TIE (NOT SHOWN)
9	601982	2	CN .250-20 X .15 MAX THK

---

## **NOTES:**

1. When performing service on the mower, disconnect the negative battery cable and do not reconnect it to the battery until ready to start the engine.



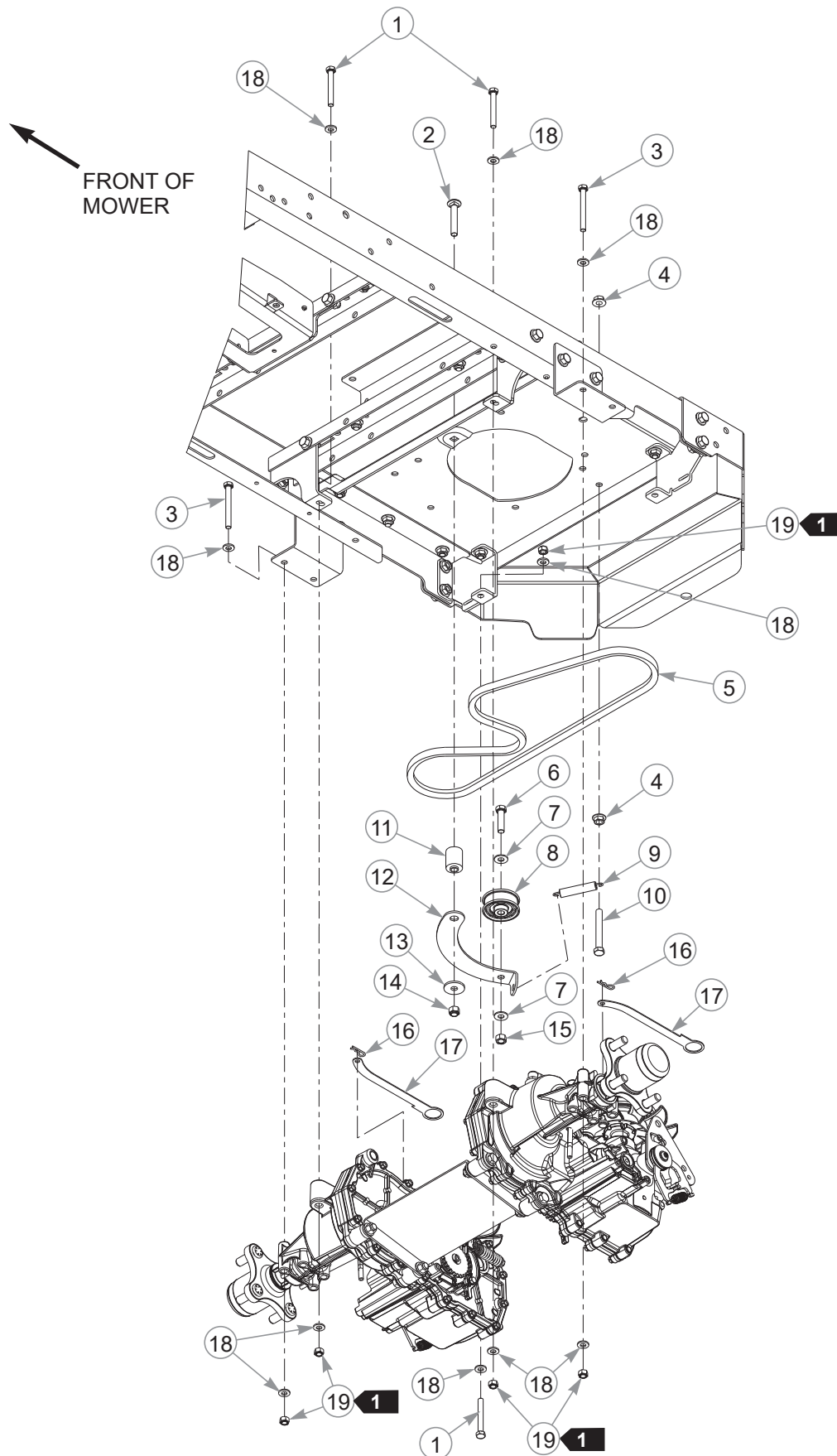


---

## Section 3

Transmission Assembly . . . . .	3-2
Transmission Service Parts . . . . .	3-6
Steering & Brake . . . . .	3-8
Steering Cover Assembly . . . . .	3-10

# Transmission Assembly



---

# **Transmission Assembly**

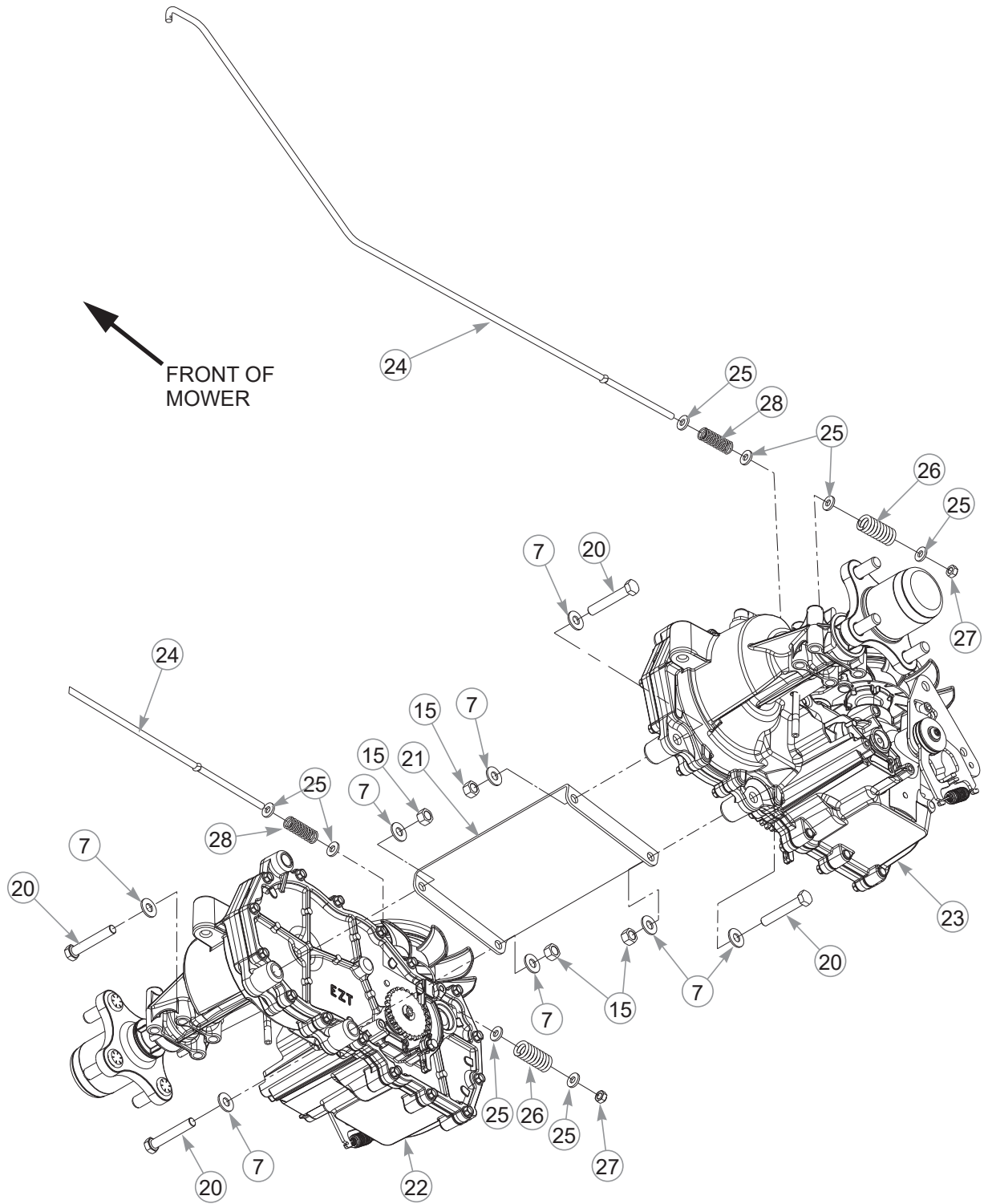
INDEX NO.	PART NO.	QTY.	DESCRIPTION
1	710087	4	CS .312-18 X 2.50 HX G5
2	604343	1	CB .375-16 X 2.25 STD ZN
3	043067	4	CS .312-18 X 3.00 HX G5 Z
4	016899	2	NT .375-16 HX G5 FLK
5	603907	1	DRIVE BELT
6	080655	1	CS .375-16 X 1.50 HX G5
7	767954	10	FW .379 X .813 X .063
8	604491	1	2.0" IDLER PULLEY
9	604490	1	SPRING
10	005108	1	CS .375-16 X 3.50 HX G5 Z
11	116289	1	IDLER SPACER
12	116287	1	IDLER ARM
13	712893	1	FW .406 X 1.25 X .12 HRD Z
14	086660	1	NT .375-16 G5 NL
15	054502	5	NT .375-16 HX G5
16	706549	2	HP .080D X 1.19
17	116218	2	TOW VALVE LINK
18	768523	16	FW .343 X .687 X .051/.080H
19	058776	8	NT .312-18 HX G5 ZY NL

---

## **NOTES:**

1. Torque to 23 N•m.

# Transmission Assembly



---

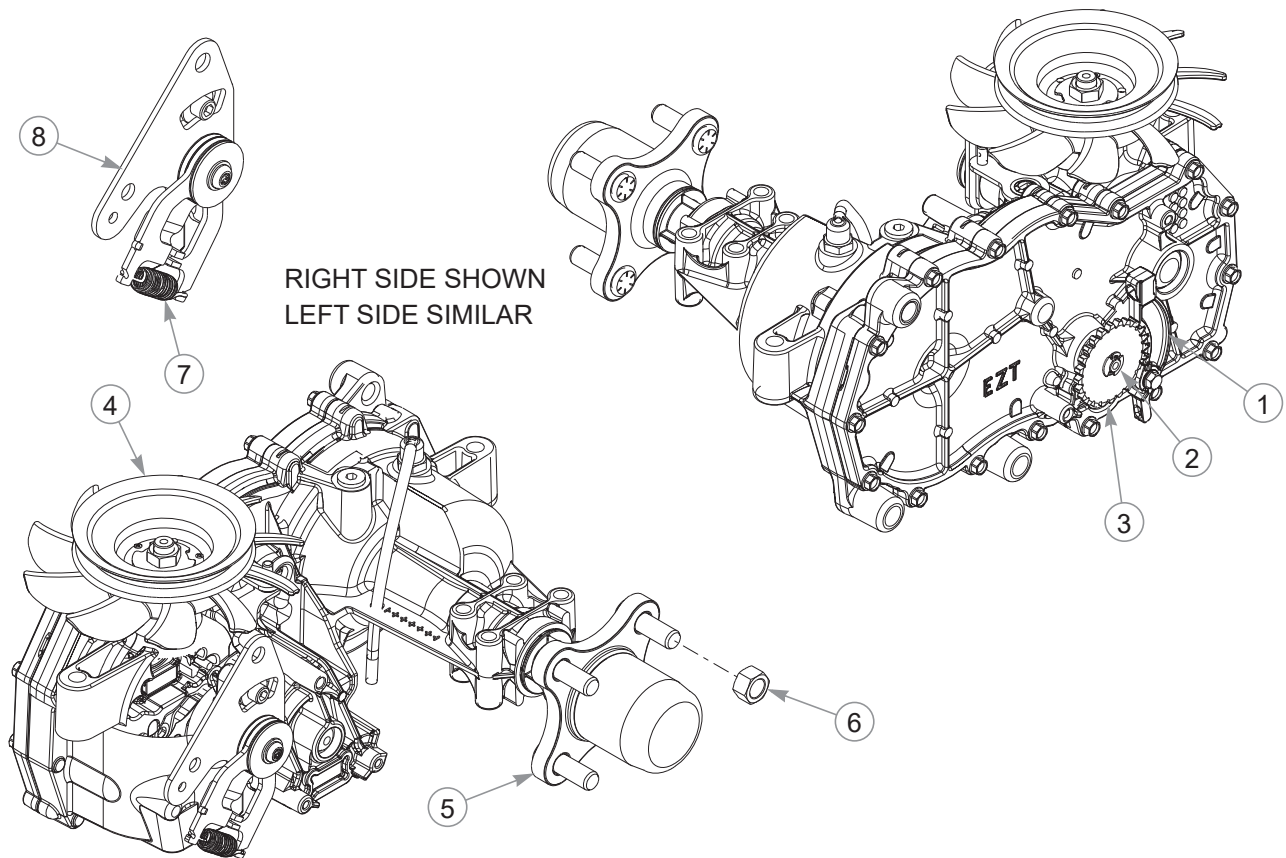
# **Transmission Assembly**

INDEX NO.	PART NO.	QTY.	DESCRIPTION
20	056036	4	CS .375-16 X 2.25 HX G5
21	123634-3	1	HYDROSTAT CROSS BRACE
22	604127	1	RS TRANSMISSION
23	604128	1	LS TRANSMISSION
24	116143	2	ACTUATOR
25	768515	8	FW .281 X .625 X .066
26	601051	2	OVERTRAVEL SPRING
27	068551	2	NT .250-20 HX ZY NL
28	601131	2	SPRING

---

## **NOTES:**

# Transmission Service Parts



## 604127 RIGHT SIDE TRANSMISSION

INDEX NO.	PART NO.	QTY.	DESCRIPTION
1	795047	1	PARKING PAWL KIT
2	798371	1	RETAINING RING
3	798363	1	PARK BRAKE GEAR
4	602094	1	FAN/PULLEY KIT
5	601433	1	4 BOLT HUB KIT (WITH NUT)
6	788877	1	HUB NUT
7	604903	1	HG RTN SPRING
8	604901	1	HG RTN CW

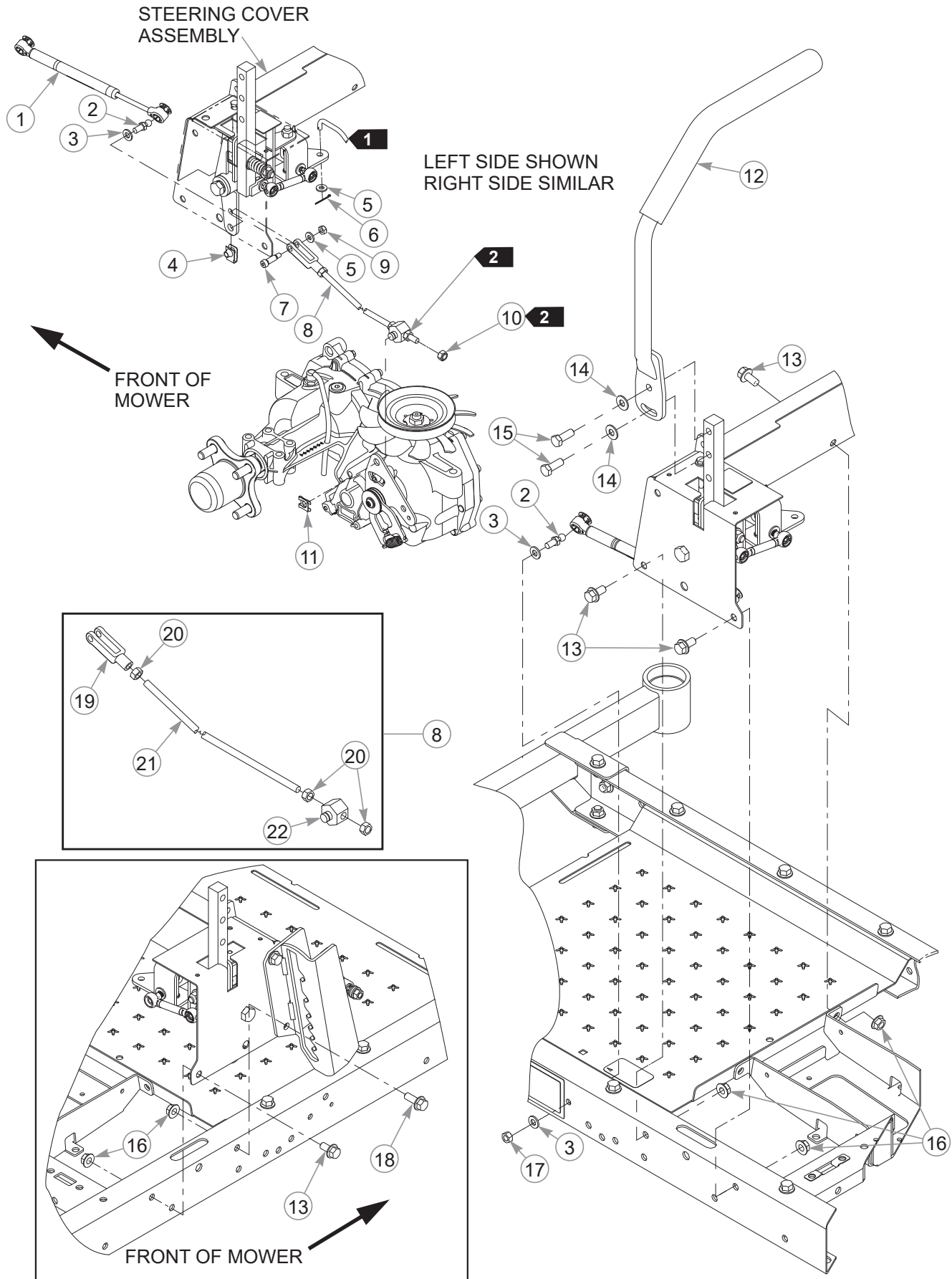
## 604128 LEFT SIDE TRANSMISSION

INDEX NO.	PART NO.	QTY.	DESCRIPTION
1	795047	1	PARKING PAWL KIT
2	798371	1	RETAINING RING
3	798363	1	PARK BRAKE GEAR
4	602094	1	FAN/PULLEY KIT
5	601433	1	4 BOLT HUB KIT (WITH NUT)
6	788877	1	HUB NUT
7	604903	1	HG RTN SPRING
8	604902	1	HG RTN CCW

---

**This page intentionally left blank.**

# Steering & Brake





---

## **Steering & Brake**

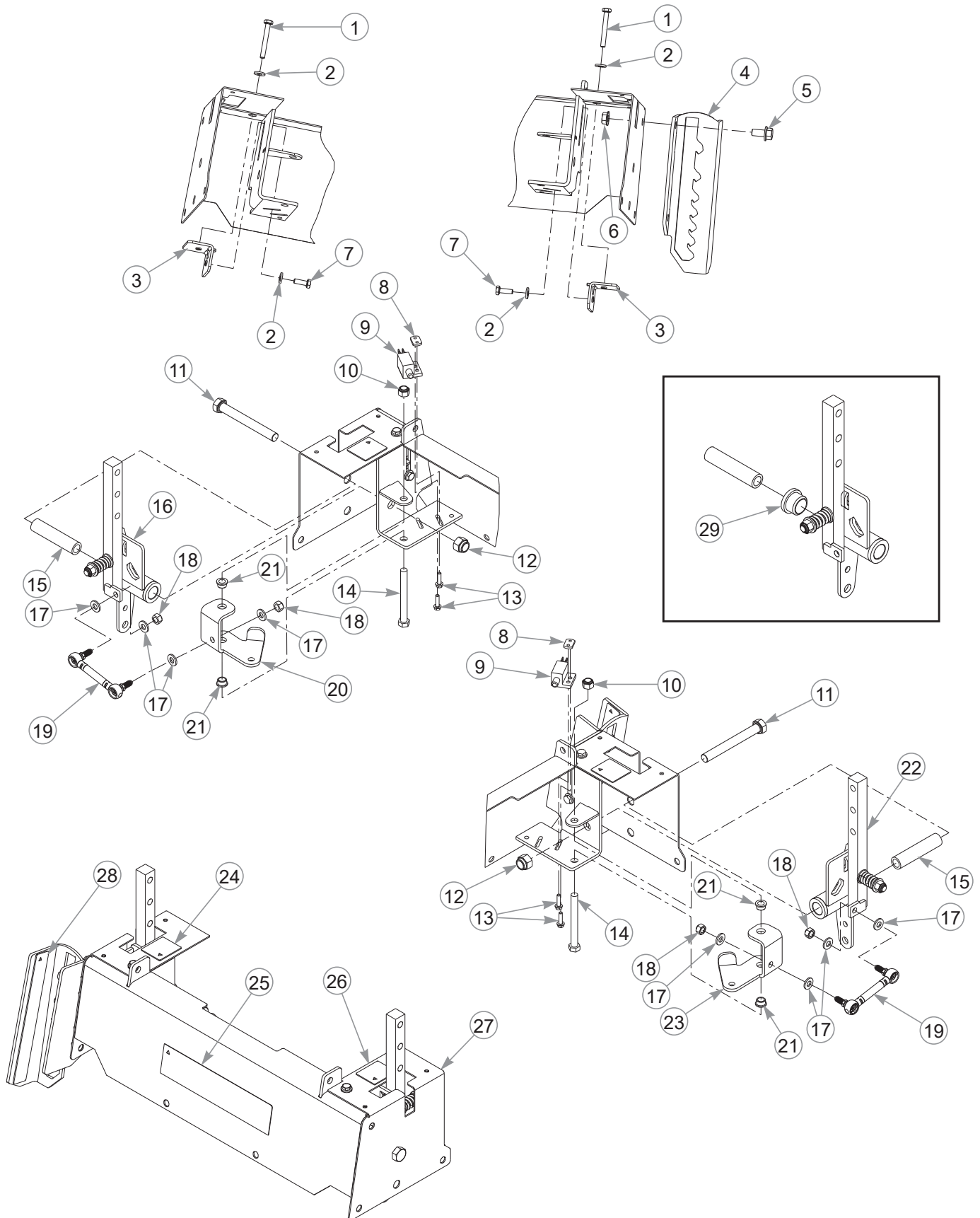
INDEX NO.	PART NO.	QTY.	DESCRIPTION
1	603983	2	DAMPER
2	781922	4	BALL STUD
3	768523	6	FW .343 X .687 X .051/.080H
4	601069	2	CN .312-18 X .20 MAX THK
5	768515	4	FW .281 X .625 X .066
6	048553	2	CP .062D X 1.00 LG HML Z
7	772483	2	SB .312 X .75 SH .250-20
8	605273	2	STEERING ROD ASSEMBLY
9	068551	2	NT .250-20 HX ZY NL
10	023655	2	NT .312-24 HX G5 NL
11	606575	2	CLIP
12	110370	2	STEERING HANDLE (WITH GRIP)
	781260	1	GRIP
13	029629	5	CS .375-16 X .75 HX FLK
14	767954	4	FW .379 X .813 X .063
15	036244	4	CS .375-16 X 1.00 HX G5
16	016899	6	NT .375-16 HX G5 FLK
17	034272	2	NT .312-18 HX G5
18	029751	1	CS .375-16 X 1.00 HX FLK
19	604173	2	YOKE, 5/16-24
20	041152	6	NT .312-24 HX ZNYC
21	603905	2	STEERING ROD
22	116144	2	STEERING BUSHING

---

### **NOTES:**

1. Part of the Transmission Assembly.
2. Torque to 19 N•m.

# Steering Cover Assembly



---

# **Steering Cover Assembly**

INDEX NO.	PART NO.	QTY.	DESCRIPTION
1	604452	2	CS .250-20 X 2.00 HX FLTHD
2	768515	4	FW .281 X .625 X .066
3	605529	2	DRIVE STRAIGHT STOP
4	551912	1	LATCH (WITH DECAL)
5	029629	1	CS .375-16 X .75 HX FLK
6	016899	1	NT .375-16 HX FLK G5
7	055939	2	CS .250-20 X .75 HX G5
8	601822	2	NUT PLATE .420 CENTERS
9	781211	2	PUSH BUTTON SWITCH
10	086660	2	NT .375-16 HX G5 ZY NL
11	781708	2	CS .500-13 X 4.25 HX G5
12	781567	2	NT .500-13 HX G8 ZY NL
13	063198	4	CS 10-24 X .75 HX FLK ZN
14	005108	2	CS .375-16 X 3.50 HX G5 Z
15	604288	2	STEERING SPACER
16	606106	1	LS STEERING BOX
17	768523	8	FW .343 X .687 X .051/.080H
18	058776	4	NT .312-18 HX NL G5
19	604179	2	BRAKE ROD
20	116142	1	LS BRAKE BELLCRANK
21	765339	4	BUSHING
22	606105	1	RS STEERING BOX
23	116141	1	RS BRAKE BELLCRANK
24	785220	1	RS STEERING DECAL
25	604195	1	RAPTOR ID DECAL
26	785139	1	LS STEERING DECAL
27	551698	1	STEERING COVER (WITH DECALS)
28	604275	1	DECK HEIGHT DECAL
29	781153	2	BUSHING

---

## **NOTES:**

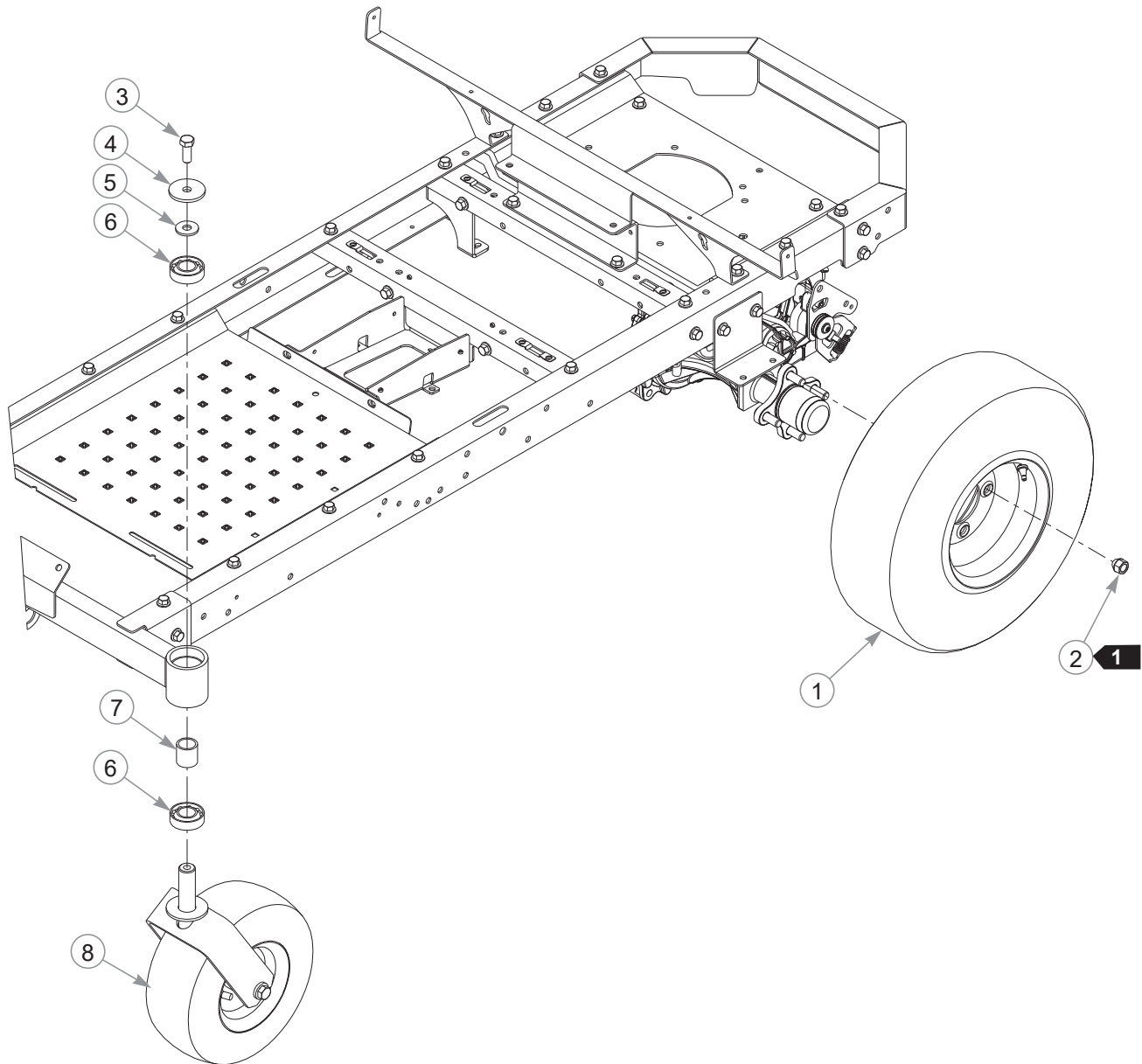


---

## Section 4

Wheel & Tire, 36" Mowers . . . . .	4-2
Wheel & Tire, 42"/52" Mowers . . . . .	4-4
LS Front Wheel Breakdown . . . . .	4-6
RS Front Wheel Breakdown . . . . .	4-8
Drive Wheel Breakdown . . . . .	4-10

# Wheel & Tire, 36" Mowers



---

## **Wheel & Tire, 36" Mowers**

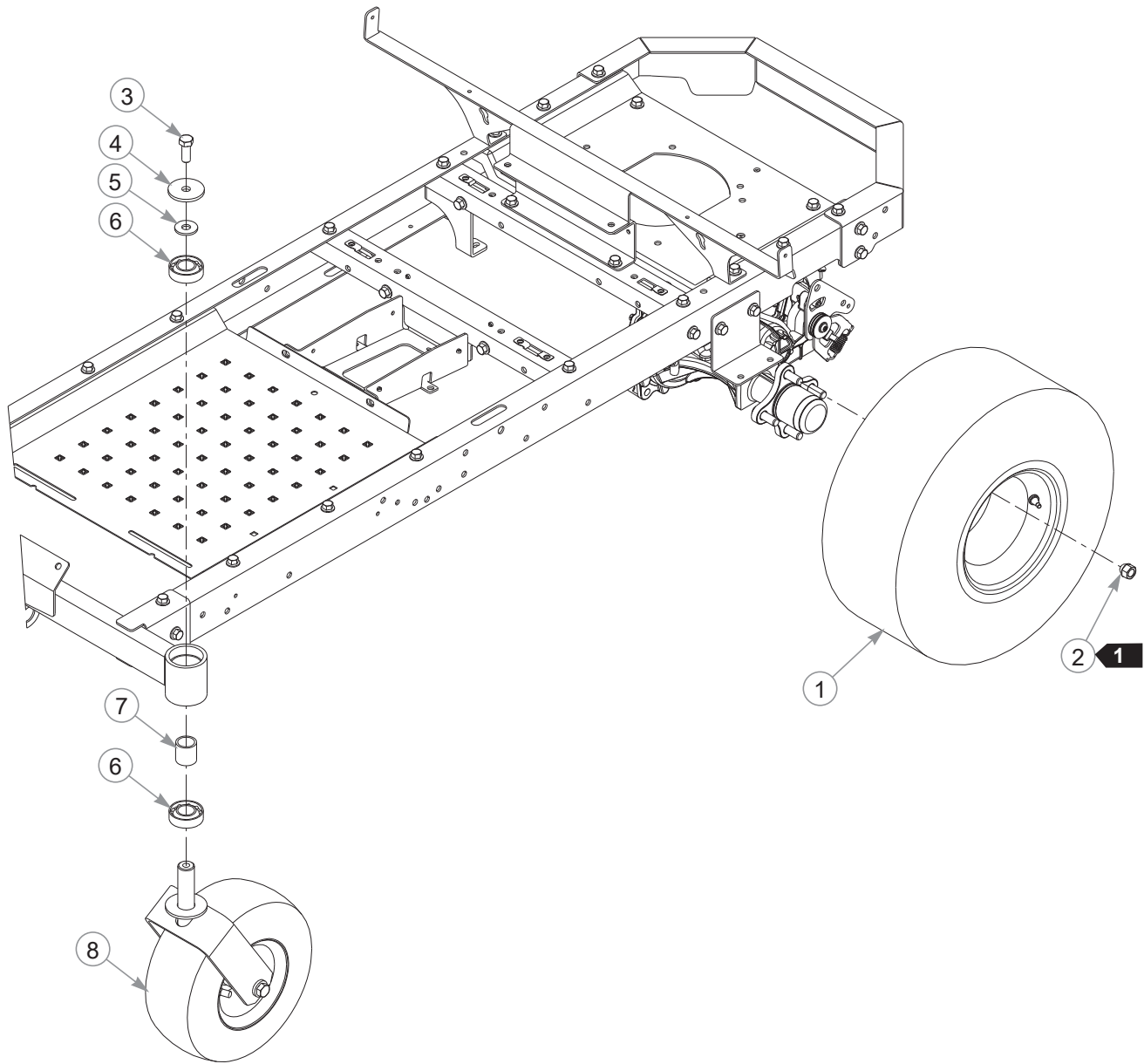
INDEX NO.	PART NO.	QTY.	DESCRIPTION
1	605261	2	TIRE/WHEEL ASSEMBLY
2	061077	8	WHEEL NUT
3	705954	2	CS .500-13 X 1.25 HX G5
4	344267	2	FW .510 X 2.15 X .187 SPL
5	712976	2	FW .531 X 1.375 X .125
6	784223	4	BEARING
7	784603	2	SPACER
8	N/A	2	FRONT WHEEL ASSEMBLY

---

### **NOTES:**

1. Torque to 88–102 N•m.

# Wheel & Tire, 42"/52" Mowers





---

## **Wheel & Tire, 42"/52" Mowers**

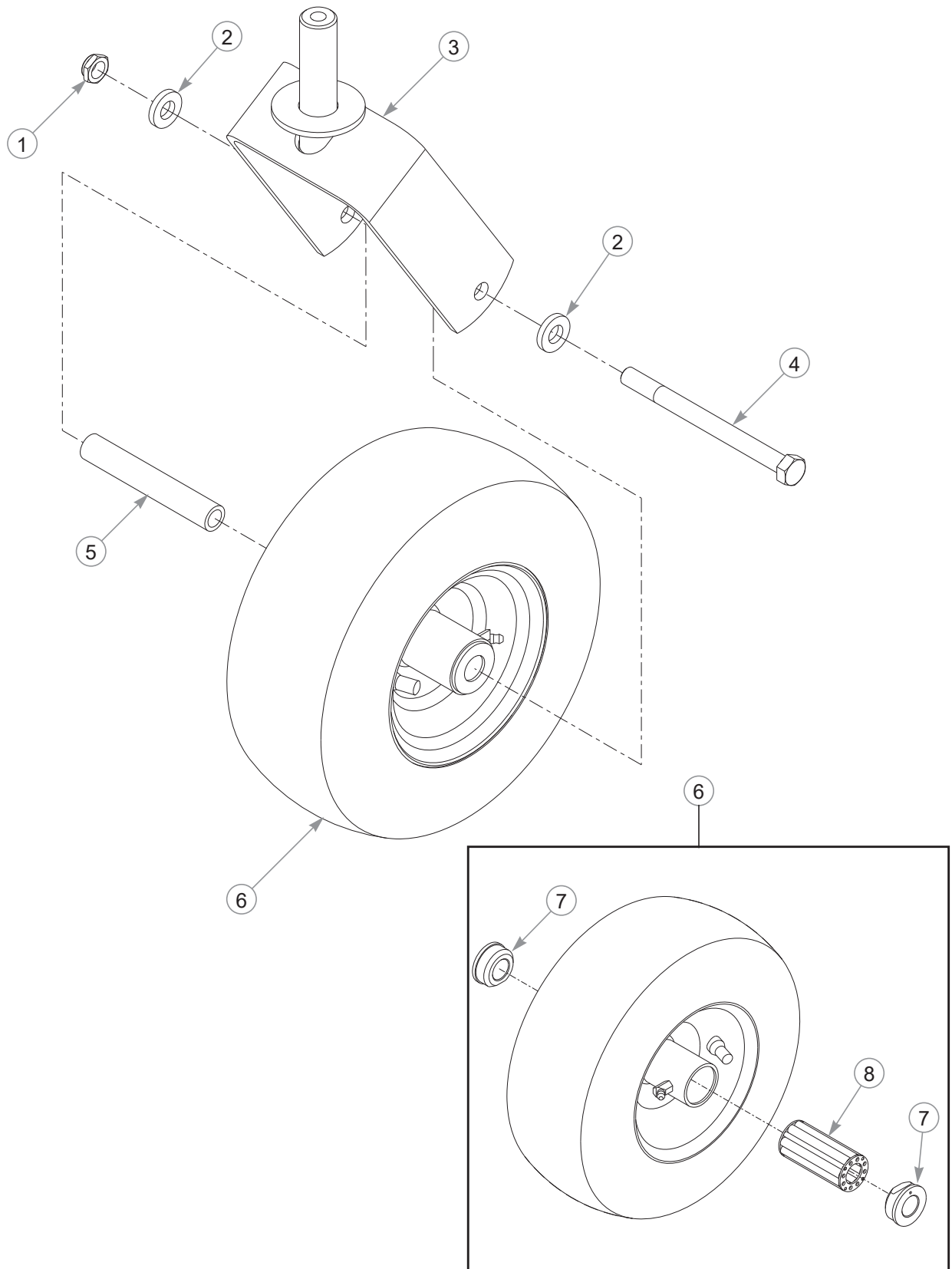
INDEX NO.	PART NO.	QTY.	DESCRIPTION
1	604013	2	TIRE/WHEEL ASSEMBLY
2	061077	8	WHEEL NUT
3	705954	2	CS .500-13 X 1.25 HX G5
4	344267	2	FW .510 X 2.15 X .187 SPL
5	712976	2	FW .531 X 1.375 X .125
6	784223	4	BEARING
7	784603	2	SPACER
8	N/A	2	FRONT WHEEL ASSEMBLY

---

### **NOTES:**

1. Torque to 88–102 N•m.

# LS Front Wheel Breakdown



---

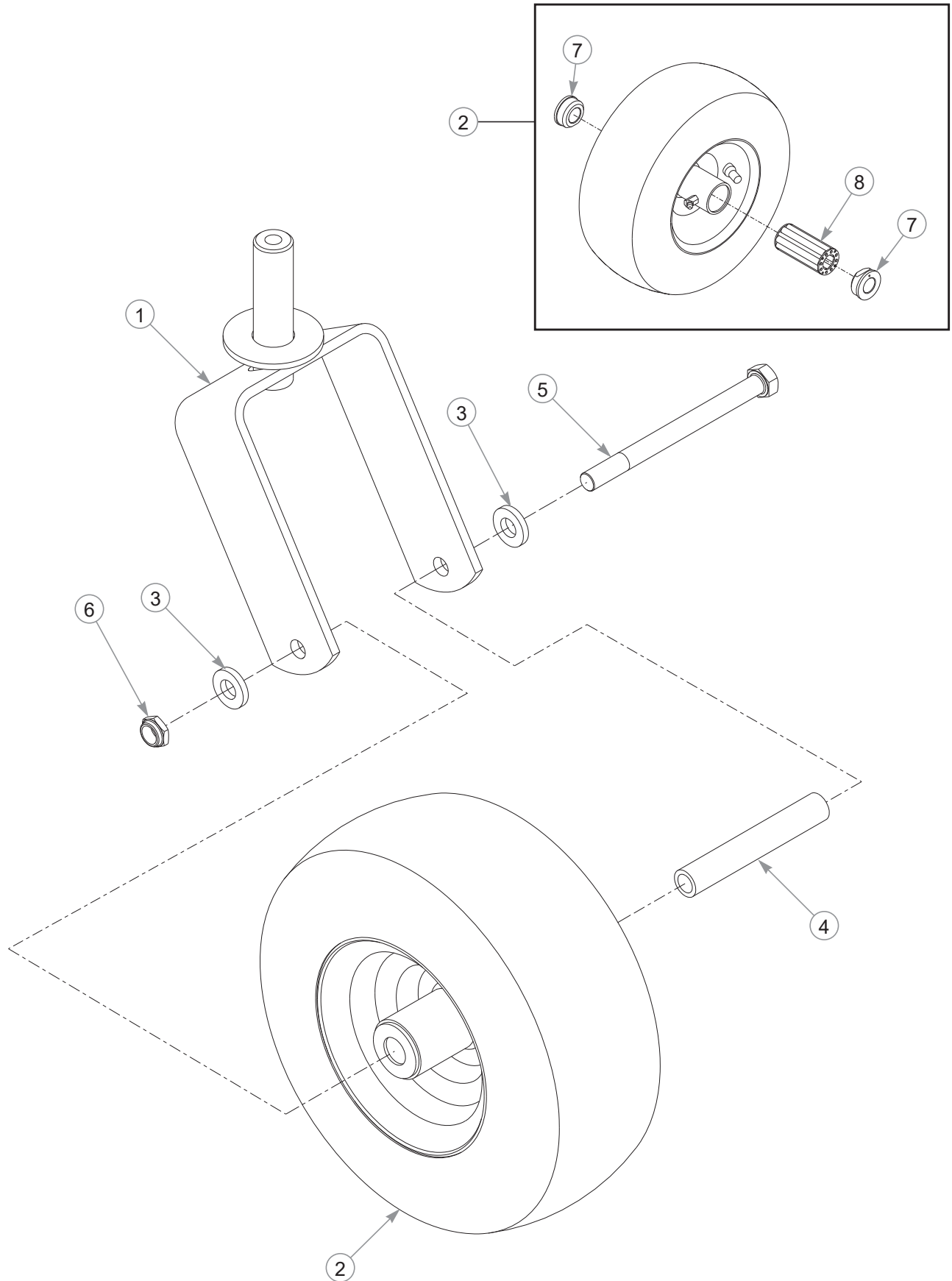
## **LS Front Wheel Breakdown**

INDEX NO.	PART NO.	QTY.	DESCRIPTION
1	707398	1	NT .500-13 JAM NY LK
2	767962	2	FW .531 X 1.063 X .175
3	110116	1	CASTER FORK
4	604718	1	CS .500-13 X 6.00 HX G5
5	306969	1	GAUGE WHEEL SPACER
6	605113	1	TIRE/WHEEL ASSEMBLY 11 X 4-5
7	772806	2	BEARING CAP
8	772814	1	3/4" ROLLER BEARING

---

### **NOTES:**

# **RS Front Wheel Breakdown**



---

## **RS Front Wheel Breakdown**

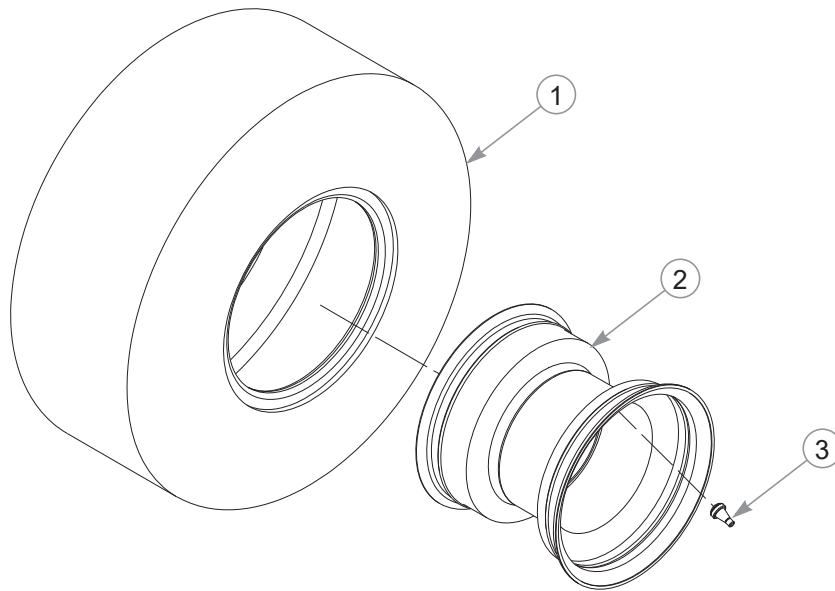
INDEX NO.	PART NO.	QTY.	DESCRIPTION
1	110116	1	CASTER FORK
2	605113	1	TIRE/WHEEL ASSEMBLY 11X4
3	767962	2	FW .531 X 1.063 X .090 SAE
4	306969	1	GAUGE WHEEL SPACER
5	604718	1	CS .500-13 X 6.00 HX G5
6	707398	1	NT .500-13 JAM NY LK
7	772806	2	BEARING CAP
8	772814	1	3/4" ROLLER BEARING

---

### **NOTES:**

---

## Drive Wheel Breakdown



---

INDEX NO.	PART NO.	QTY.	DESCRIPTION
1	604267	1	TIRE, 18 X 8.5-8
2	601820	1	WHEEL 8 X 6.93
3	019521	1	VALVE STEM

---

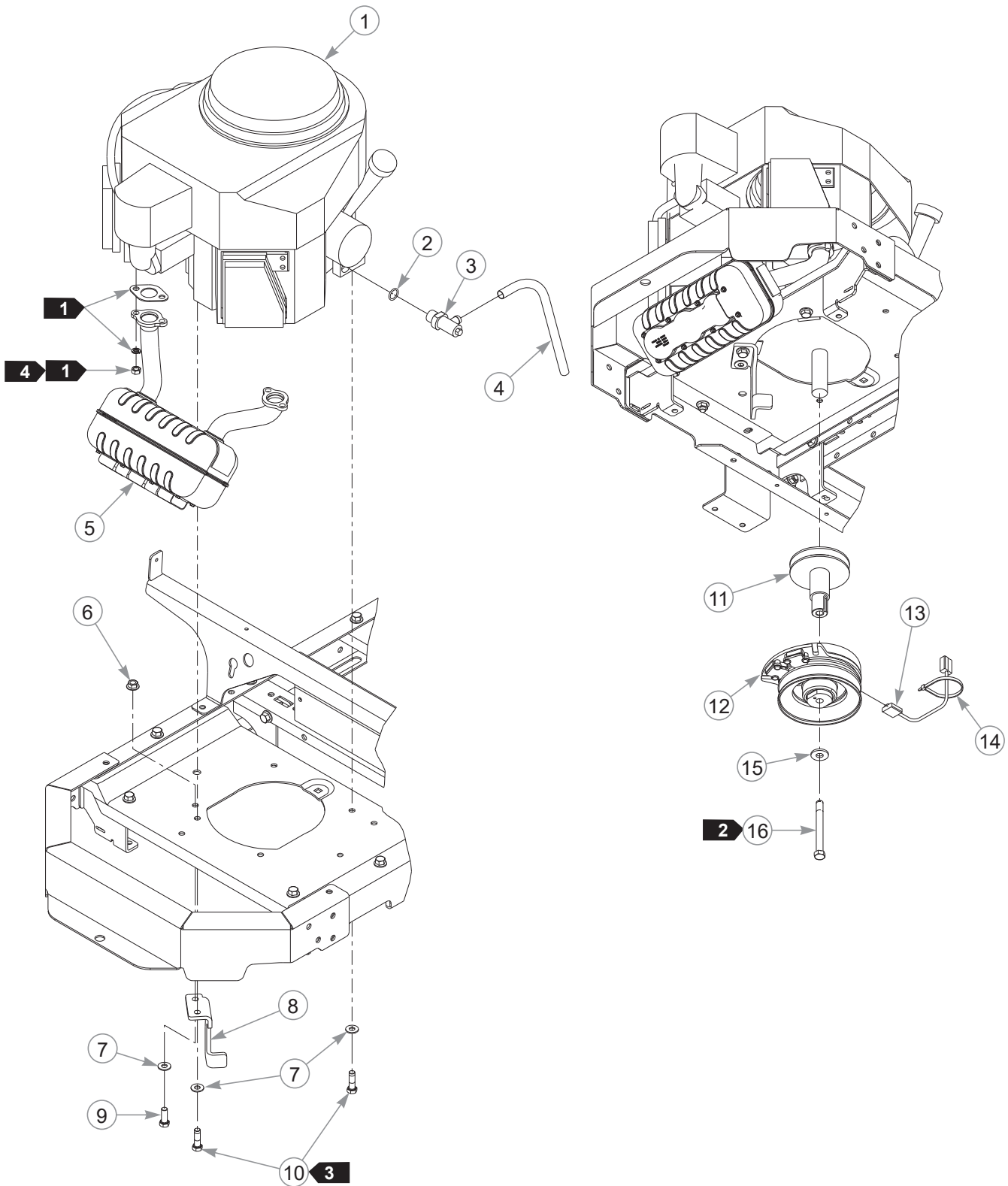
### NOTES:

---

## Section 5

Engine, Kawasaki FR541V .....	5-2
Engine, Kawasaki FR651V .....	5-6
Engine Service Parts, FR541V .....	5-10
Engine Service Parts FR651V .....	5-11
Fuel System .....	5-12

# Engine, Kawasaki FR541V





---

## **Engine, Kawasaki FR541V**

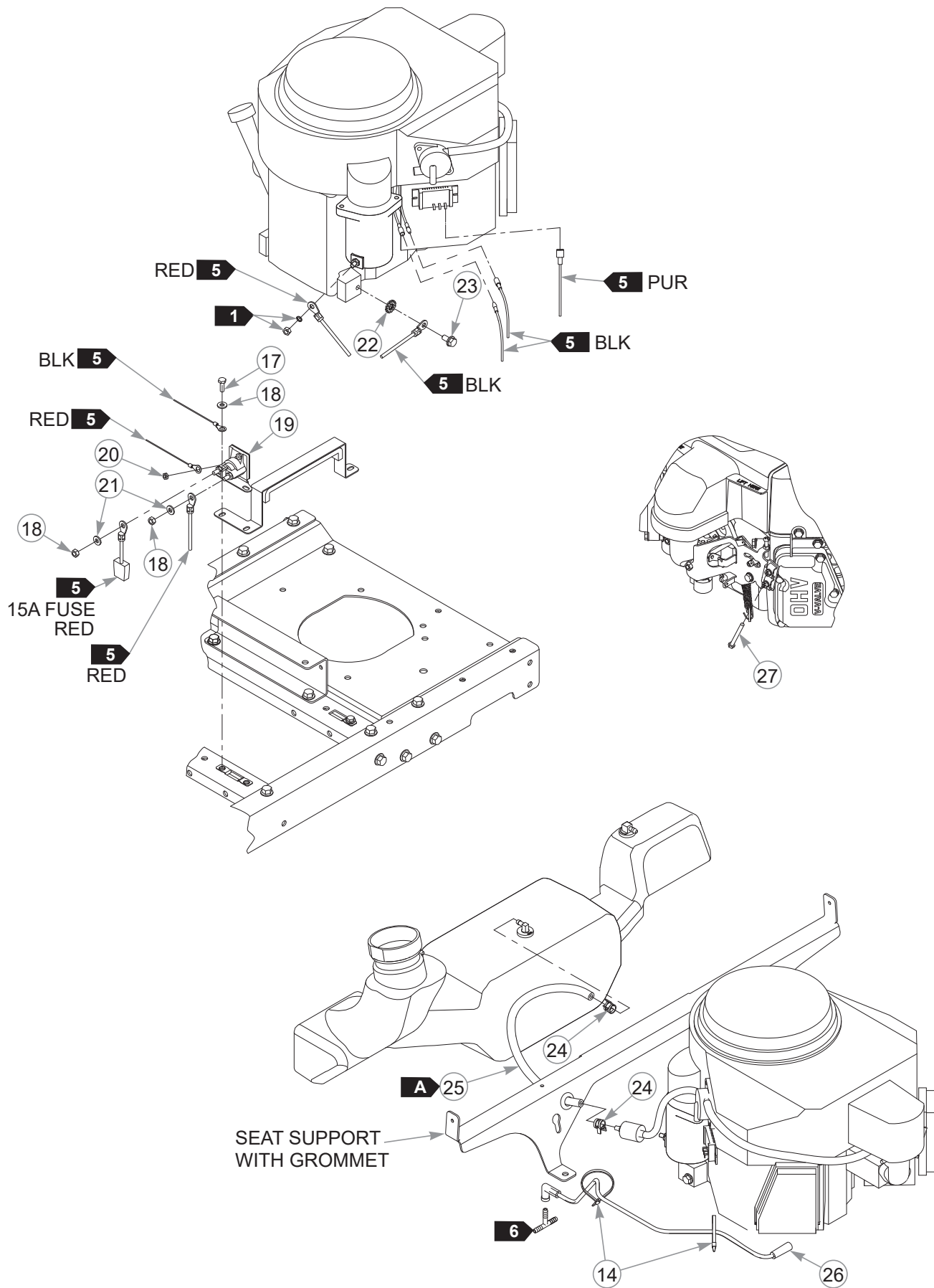
INDEX NO.	PART NO.	QTY.	DESCRIPTION
1	N/A	1	KAWASAKI FR541V ENGINE
2	604369	1	O-RING
3	604350	1	OIL DRAIN VALVE
4	604463	31cm	OIL DRAIN HOSE
5	602999	1	MUFFLER
6	016899	1	NT .375-16 HX G5 FLK
7	767954	5	FW .379 X .813 X .063
8	116290	1	CLUTCH ANCHOR
9	036244	1	CS .375-16 X 1.00 HX G5
10	602580	4	CS .375-16 X 1.25 HX G8 P85
11	604185	1	STUB SHAFT PUMP PULLEY
12	604244K	1	CLUTCH KIT
13	791251	1	CLUTCH HARNESS PIGTAIL
14	000331	3	WIRE TIE
15	602680	1	FW .453 X 1.12 X .119 HRD
16	604271	1	CS .437-20 X 4.00 HX G5

---

### **NOTES:**

1. Supplied with the engine.
2. Torque to 61–65 N•m. Replace (do not reuse) the cap screw if it is removed or loosened. Use only hand tools to install this fastener.
3. Torque to 41–47 N•m. Replace (do not reuse) the cap screw if it is removed or loosened. Use only hand tools to install this fastener.
4. Torque to 23 N•m.

# Engine, Kawasaki FR541V




---

## **Engine, Kawasaki FR541V**

INDEX NO.	PART NO.	QTY.	DESCRIPTION
17	055939	2	CS .250-20 X .75 HX G5
18	768515	4	FW .281 X .625 X .066
19	030817	1	STARTER SOLENOID
20	044255	1	NT #10-32 HX ZN
21	024927	2	NT .250-20 HX G5
22	029876	1	LW .325 INT-EXT TOOTH
23	720516	1	CS M8 X 1.25 X 16 HX FL 10.9
24	000323	2	HOSE CLAMP
25	015818	46 cm	1/4" FUEL LINE
26	604274	1	3/16" FORMED VAPOR LINE
27	603524	1	CS M5-.8 X 50 MM DIN 933 (FUL TD)

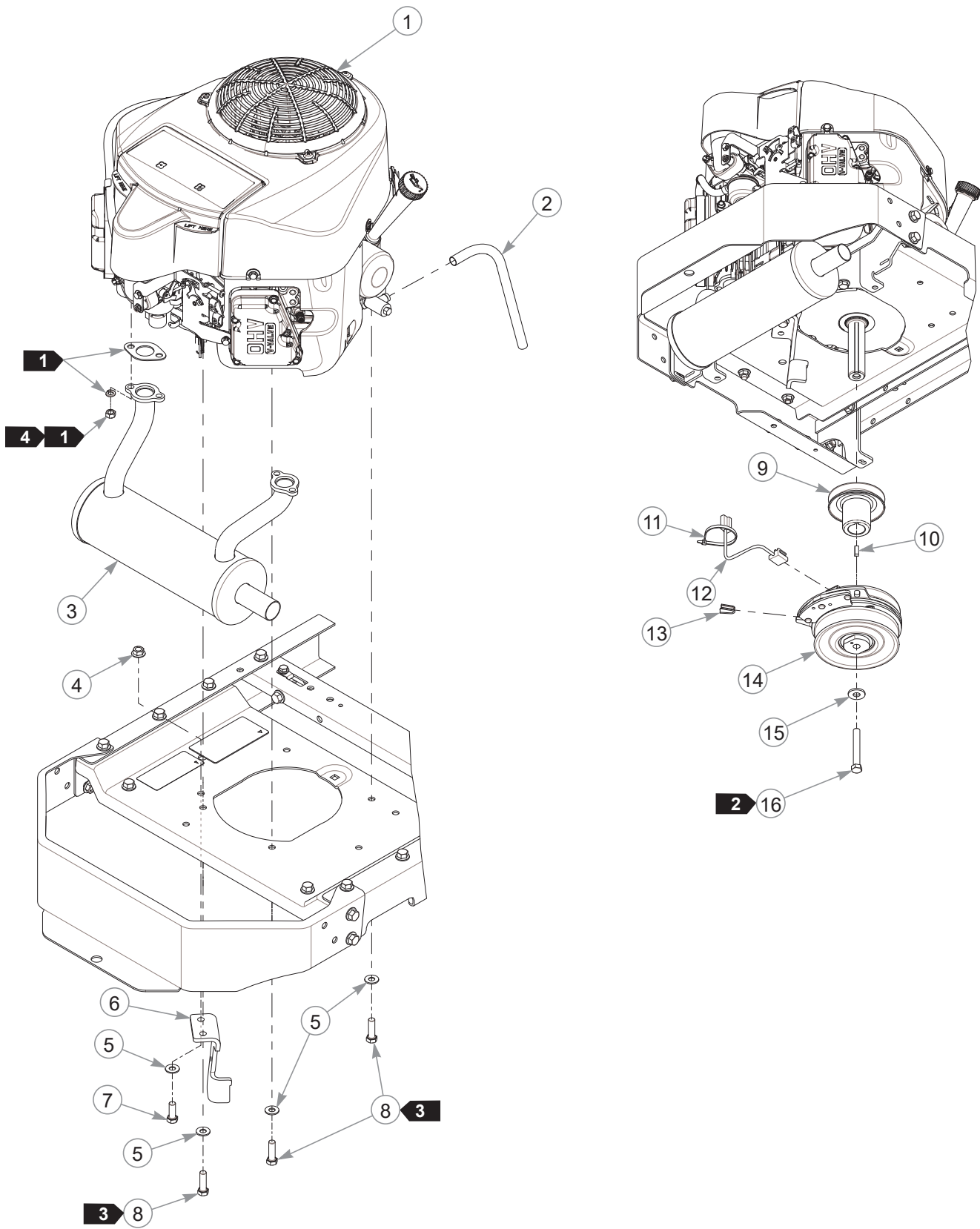
---

### NOTES:

FUEL LINE LENGTHS		
	46 cm	TANK TO FUEL FILTER (FUEL)

5. Part of the wire harness.
6. Part of the fuel system.

# Engine, Kawasaki FR651V



---

## **Engine, Kawasaki FR651V**

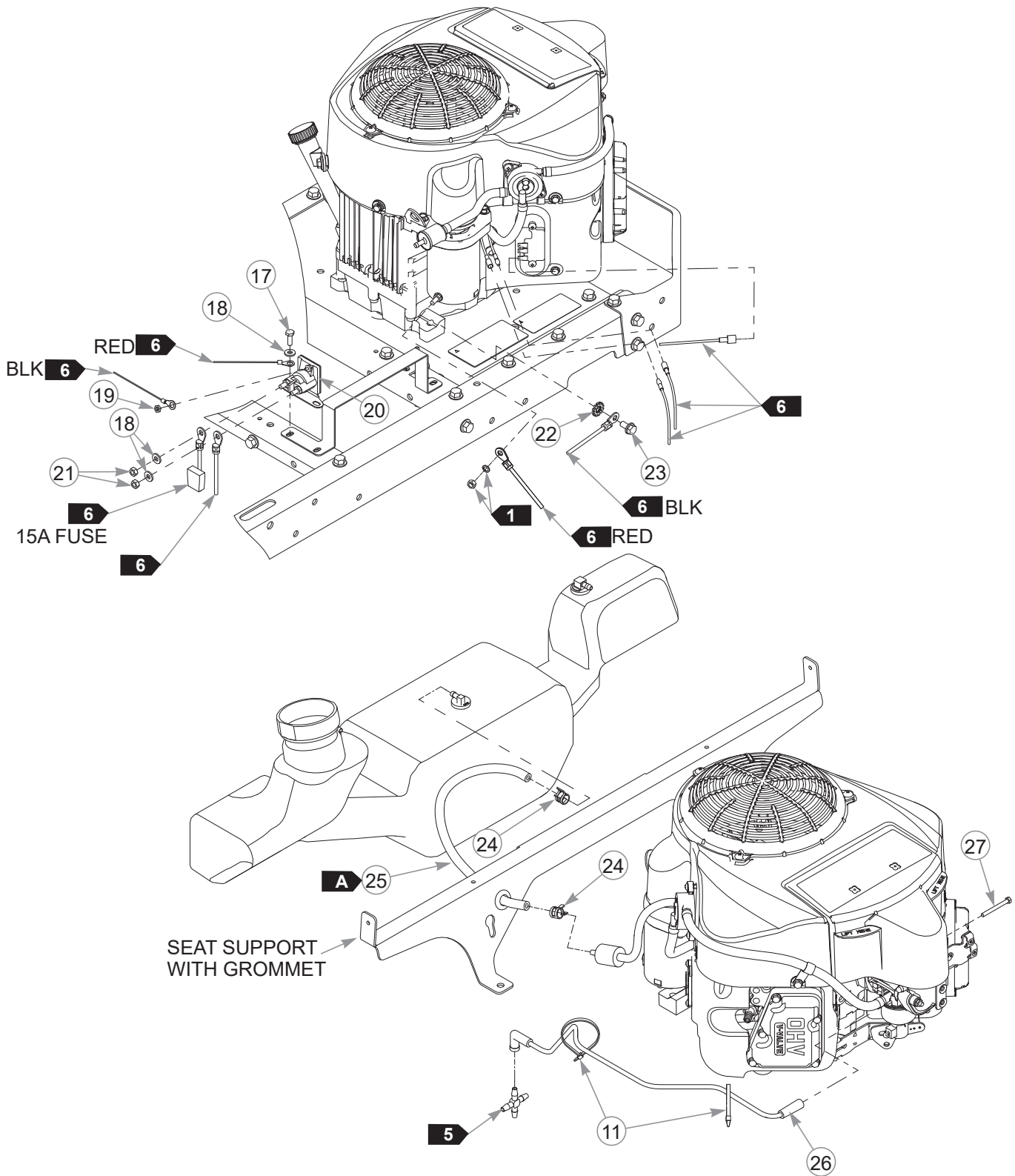
INDEX NO.	PART NO.	QTY.	DESCRIPTION
1	N/A	1	KAWASAKI FR651V ENGINE
2	604463	30cm	OIL DRAIN HOSE
3	604016	1	MUFFLER
4	016899	1	NT .375-16 HX G5 FLK
5	767954	5	FW .379 X .813 X .063
6	121625	1	CLUTCH ANCHOR
7	036244	1	CS .375-16 X 1.00 HX G5
8	602580	4	CS .375-16 X 1.25 HX G8 P85
9	605574	1	PULLEY
10	712372	1	KEY 1/4 SQ X .66 LG
11	000331	3	WIRE TIE
12	791251	1	CLUTCH HARNESS PIGTAIL
13	605595	1	CLUTCH BUSHING
14	605827K	1	CLUTCH KIT
15	602680	1	FW .453 X 1.12 X .119 HRD
16	785048	1	CS .437-20 X 3.00 HX G5 P85

---

### **NOTES:**

1. Supplied with the engine.
2. Torque to 61–65 N•m. Replace (do not reuse) the cap screw if it is removed or loosened. Use only hand tools to install this fastener.
3. Torque to 41–47 N•m. Replace (do not reuse) the cap screw if it is removed or loosened. Use only hand tools to install this fastener.
4. Torque to 23 N•m.

# Engine, Kawasaki FR651V




---

## **Engine, Kawasaki FR651V**

INDEX NO.	PART NO.	QTY.	DESCRIPTION
17	055939	2	CS .250-20 X .75 HX G5
18	768515	4	FW .281 X .625 X .066
19	044255	1	NT #10-32 HX ZN
20	030817	1	STARTER SOLENOID
21	024927	2	NT .250-20 HX G5
22	029876	1	LW .312 INT-EXT TOOTH
23	720516	1	CS M8 X 1.25 X 16 HX FL 10.9
24	000323	2	HOSE CLAMP
25	015818	46cm	1/4" FUEL LINE
26	604274	1	3/16" FORMED VAPOR LINE
27	603524	1	CS M5-.8 X 50 MM DIN 933 (FUL TD)

---

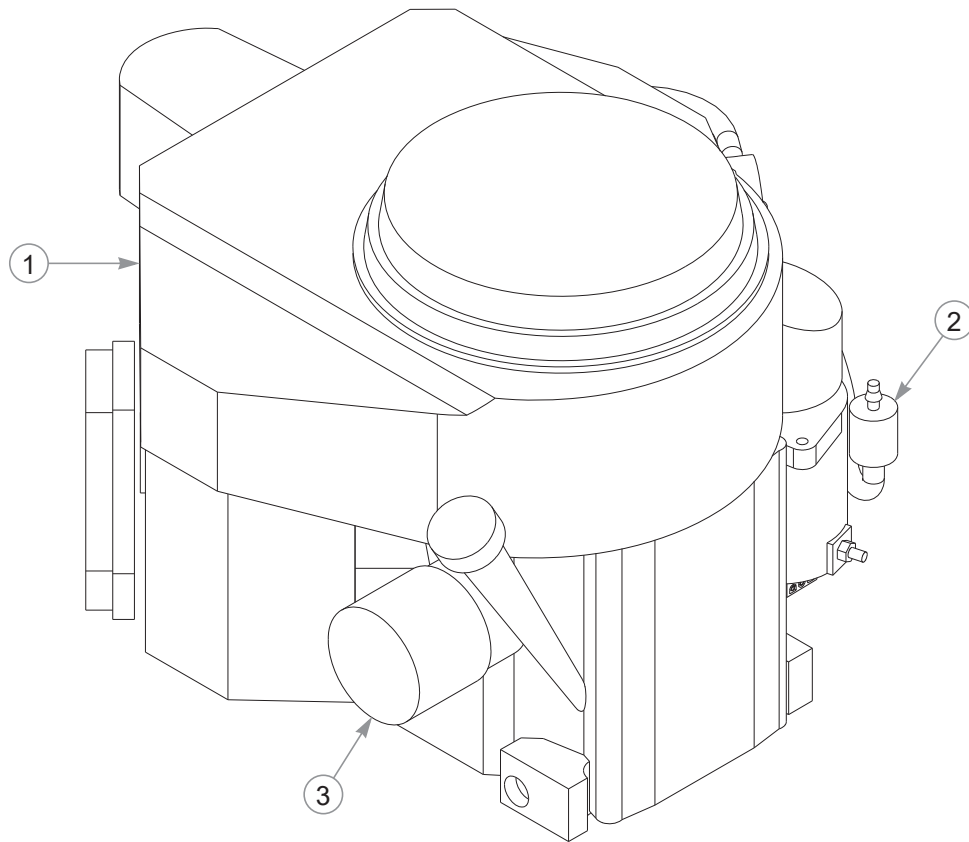
### NOTES:

FUEL & VAPOR LINE LENGTHS		
	46cm	TANK TO FUEL FILTER (FUEL)

5. Part of the fuel system.
6. Part of the wire harness.

---

## **Engine Service Parts, FR541V**



---

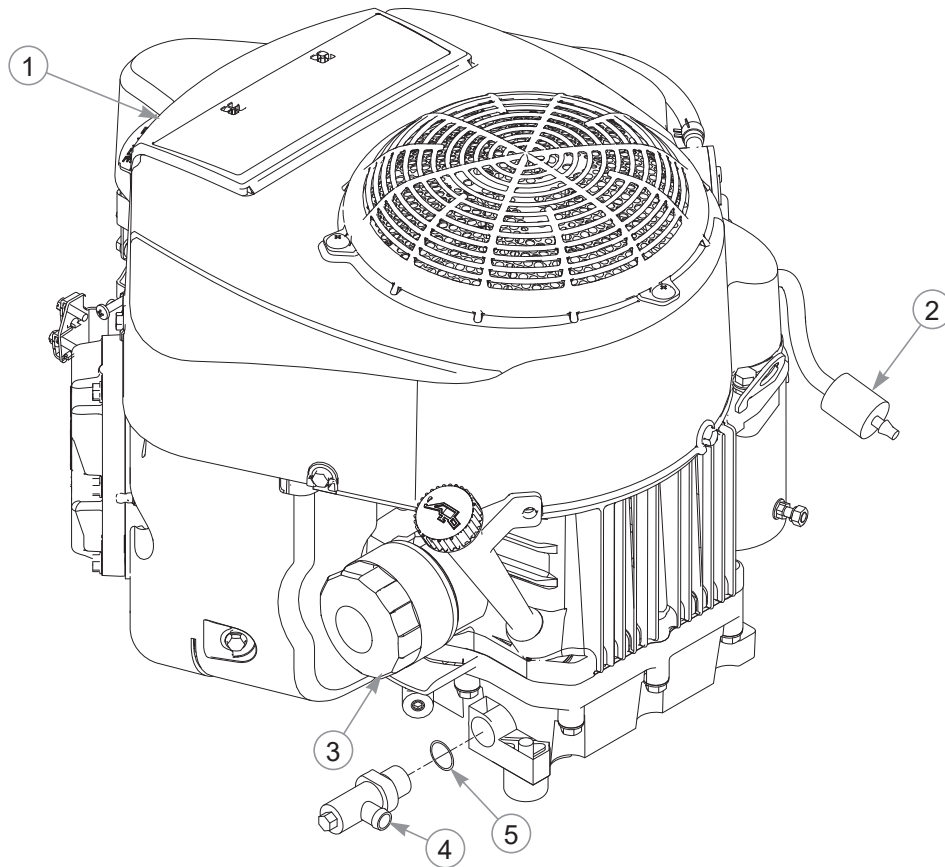
INDEX NO.	PART NO.	QTY.	DESCRIPTION
1	604240	1	AIR FILTER
2	068478	1	IN-LINE FUEL FILTER
3	602581	1	OIL FILTER

---

### **NOTES:**



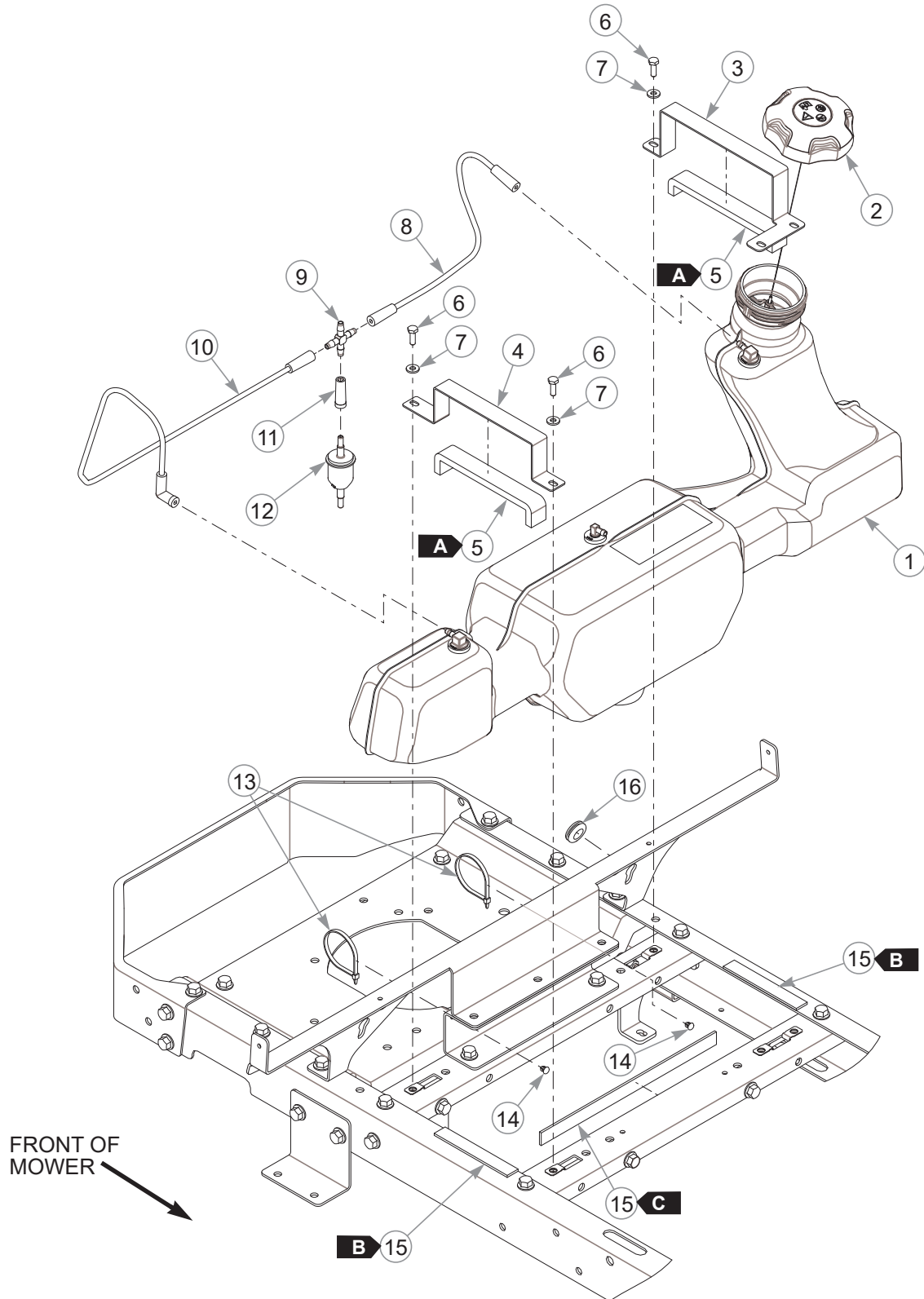
# Engine Service Parts FR651V



INDEX NO.	PART NO.	QTY.	DESCRIPTION
1	603059	1	AIR FILTER
2	068478	1	IN-LINE FUEL FILTER
3	602581	1	OIL FILTER
4	604350	1	OIL DRAIN VALVE
5	604369	1	O-RING

## NOTES:

# Fuel System






---

# Fuel System

INDEX NO.	PART NO.	QTY.	DESCRIPTION
1	606432	1	FUEL TANK ASSEMBLY
2	603807	1	RATCHETING GAS CAP, 3.5"
3	117059	1	LEFT TANK MOUNT
4	117060	1	RIGHT TANK MOUNT
5	713198	47 cm	SEAL 3/8 X 3/4
6	055939	3	CS .250-20 X .75 HX G5
7	768515	3	FW .281 X .625 X .066
8	604279	1	3/16" FORMED VAPOR LINE
9	604322	1	1/4" HOSE BARB CROSS
10	604273	1	3/16" FORMED VAPOR LINE
11	604292	1	BOOT, 3/16" TO 1/4" BARB
12	604323	1	VAPOR SYSTEM FILTER
13	000331	2	WIRE TIE
14	604307	2	PUSH BUTTON MOUNT
15	033035	56 cm	WEATHERSTRIP
16	601400	1	GM .63 X 1.13 X .88 X .13

---

## NOTES:

SEAL & WEATHERSTRIP LENGTH	
<b>A</b> 	23.5 cm
<b>B</b> 	13 cm
<b>C</b> 	30 cm



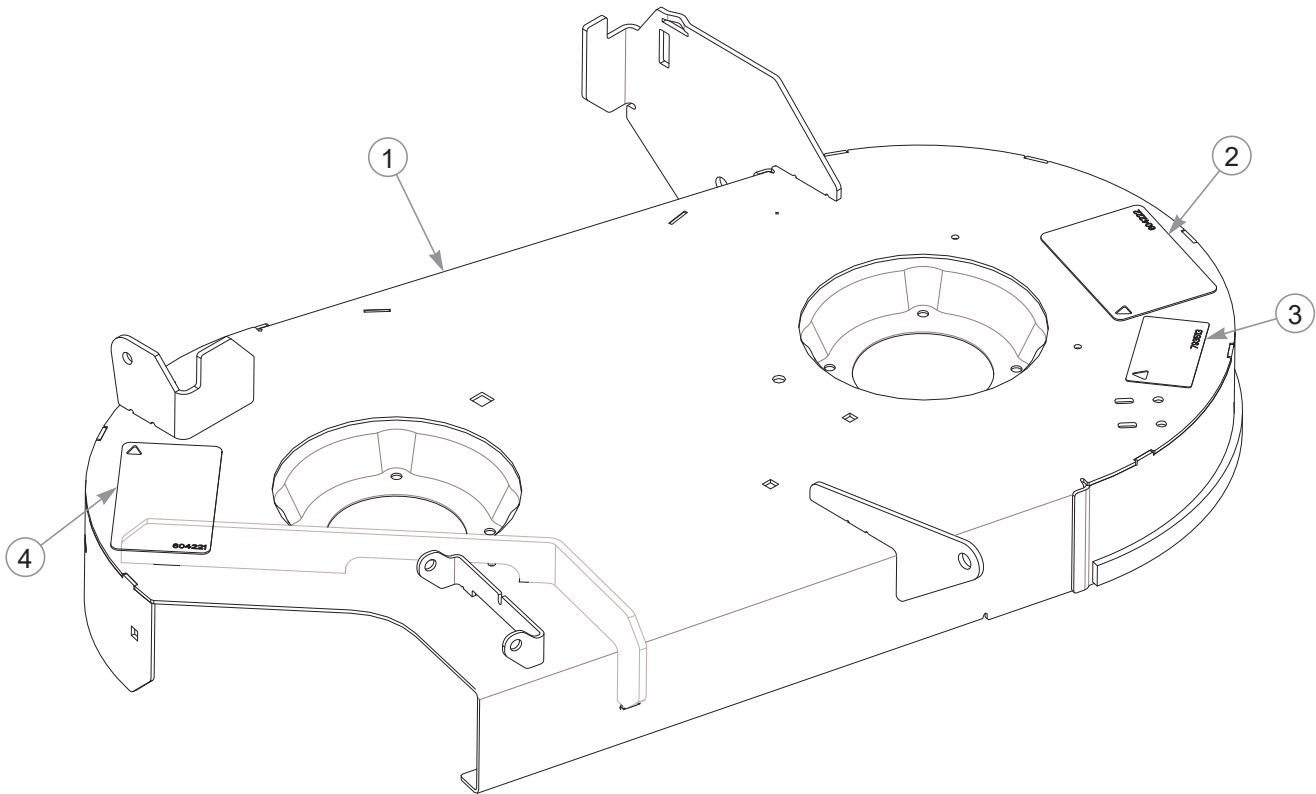
---

## Section 6

36" Service Deck . . . . .	6-2
36" Deck Pulleys & Spindles . . . . .	6-4
36" Deck . . . . .	6-6
42" Service Deck . . . . .	6-8
42" Deck Pulleys & Spindles . . . . .	6-10
42" Deck . . . . .	6-12
36"/42" Deck Lift . . . . .	6-14
52" Service Deck . . . . .	6-16
52" Deck Pulleys & Spindles . . . . .	6-18
52" Deck . . . . .	6-20
52" Deck Lift . . . . .	6-22

---

## **36" Service Deck**



---

INDEX NO.	PART NO.	QTY.	DESCRIPTION
1	554444	1	36" DECK (WITH DECALS)
2	604222	1	DANGER/OBJECTS DECAL
3	793513	1	36" DECK ID DECAL
4	604221	1	DANGER/CHUTE DECAL

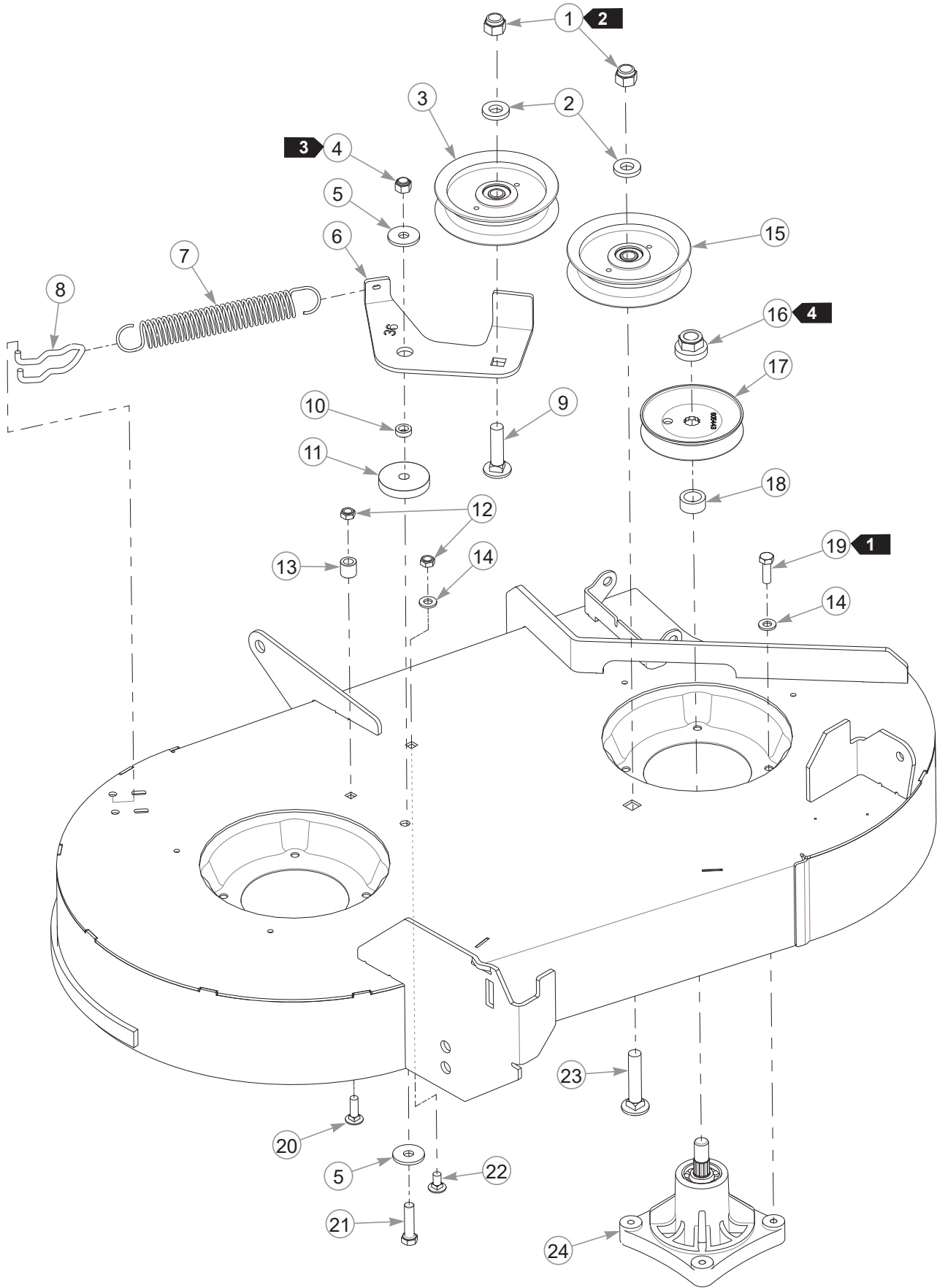
---

### **NOTES:**

---

**This page intentionally left blank.**

# 36" Deck Pulleys & Spindles





---

## **36" Deck Pulleys & Spindles**

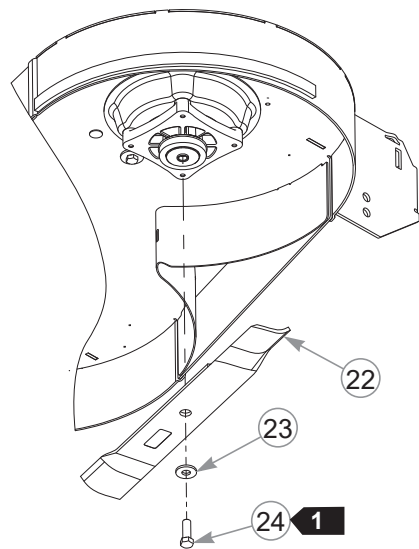
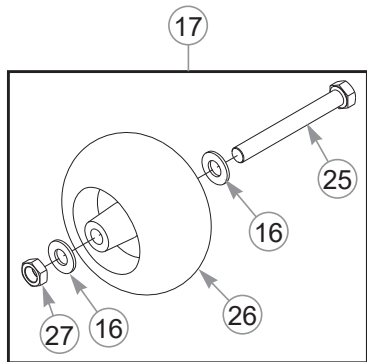
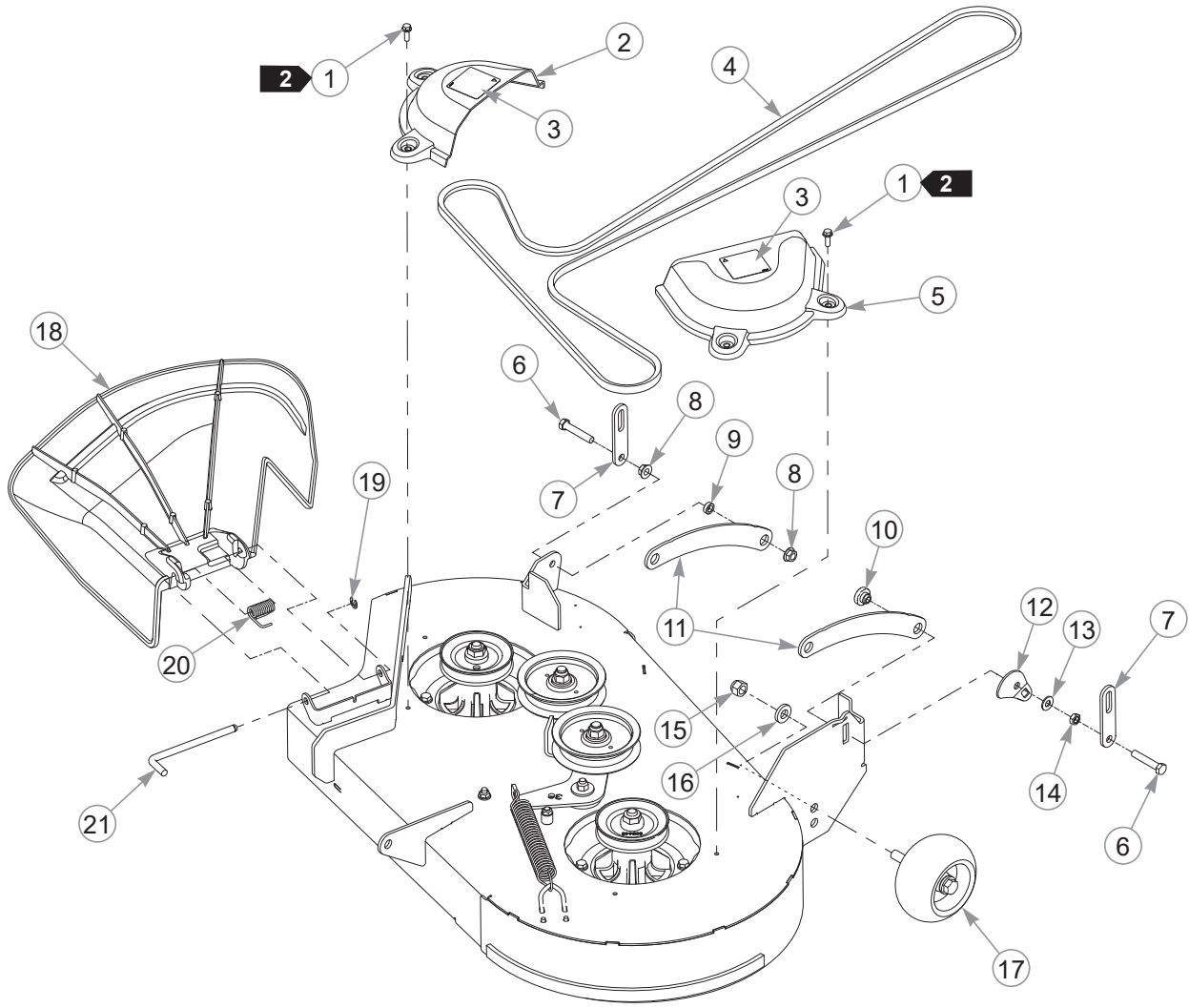
INDEX NO.	PART NO.	QTY.	DESCRIPTION
1	781567	2	NT .500-13 NL
2	767962	2	FW .531 X 1.063 X .175
3	603986	1	IDLER PULLEY, 4.00" FLAT
4	086660	1	NT .375-16 G8 NL
5	712893	2	FW .406 X 1.25 X .12 HRD Z
6	119936	1	36" PIVOTING IDLER ARM
7	605379	1	SPRING
8	604110	1	SPRING TENSIONER ANCHOR
9	604253	1	CB .50-13 X 2.00 STD ZN
10	601839	1	PIVOT SPACER BUSHING
11	117539	1	SPACER
12	604251	2	NT .312-18 HX NL JAM G2 ZN
13	122398	1	TENSIONING PULLEY STOP
14	768523	9	FW .343 X .687 X .051/.080H
15	604219	1	IDLER PULLEY, 4.00" FLAT
16	606943	2	NT .562-18 HX G5 NL
17	605443	2	DRIVE PULLEY 36"
18	604123	2	PULLEY SPACER
19	036236	8	CS .312-18 X 1.00 HX G5
20	037887	1	CB .312-18 X 1.00 FULL ZN
21	080655	1	CS .375-16 X 1.50 HX G5
22	083147	1	CB .312-18 X .620 G5 ZN
23	604254	1	CB .50-13 X 2.50 STD ZN
24	604214	2	SPINDLE ASSEMBLY

---

### **NOTES:**

1. Torque to 24 N•m.
2. Torque to 99 N•m.
3. Torque to 41 N•m. The idler arm should pivot freely.
4. Torque to 68–102 N•m.

# **36" Deck**



---

## **36" Deck**

INDEX NO.	PART NO.	QTY.	DESCRIPTION
1	604324	4	CS .250-20 X .75 HX FLG
2	605254	1	RS PULLEY COVER
3	602562	2	NO SERVICE DECAL
4	771824	1	BELT, A 117" EL
5	604403	1	LS PULLEY COVER
6	606593	2	CS .375-16 X 2.00 HX G5 P85
7	116157	2	DECK LIFT LINK
8	016899	2	NT .375-16 HX G5 FLK
9	601839	1	PIVOT SPACER BUSHING
10	605016	1	DECK LEVELING NUT
11	116155	2	DECK LINK
12	116911	1	LEVELER CAM
13	767954	1	FW .379 X .813 X .063
14	706168	1	NT .375-16 HX JAM G5 Z
15	781567	1	NT .500-13 NL
16	767962	1	FW .531 X 1.063 X .175
17	788166	1	PLASTIC WHEEL ASSEMBLY
18	606931	1	RAPTOR DISCHARGE CHUTE
19	603332	1	CLIP E .66 X .303 X .035
20	604331	1	CHUTE SPRING
21	606981	1	DISCHARGE CHUTE PIN
22	783753	2	BLADE, 17.86"-L-F-CW
	603995	2	BLADE, 17.86"-M-F-CW
	787721	2	BLADE, 17.86"-H-F-CW
	603848	2	BLADE, 17.86"-CAT-F-CW
	785436	2	BLADE, 17.86"-GAT-F-CW
23	602680	2	FW .453 X 1.12 X .119 HRD
24	754101	2	CS .437-20 X 1.25 HX G5 ZNY
25	781708	1	CS .500-13 X 4.25 HX G5
26	031997	1	PLASTIC WHEEL
27	053199	1	NT .500-13 HX JAM ZNYC

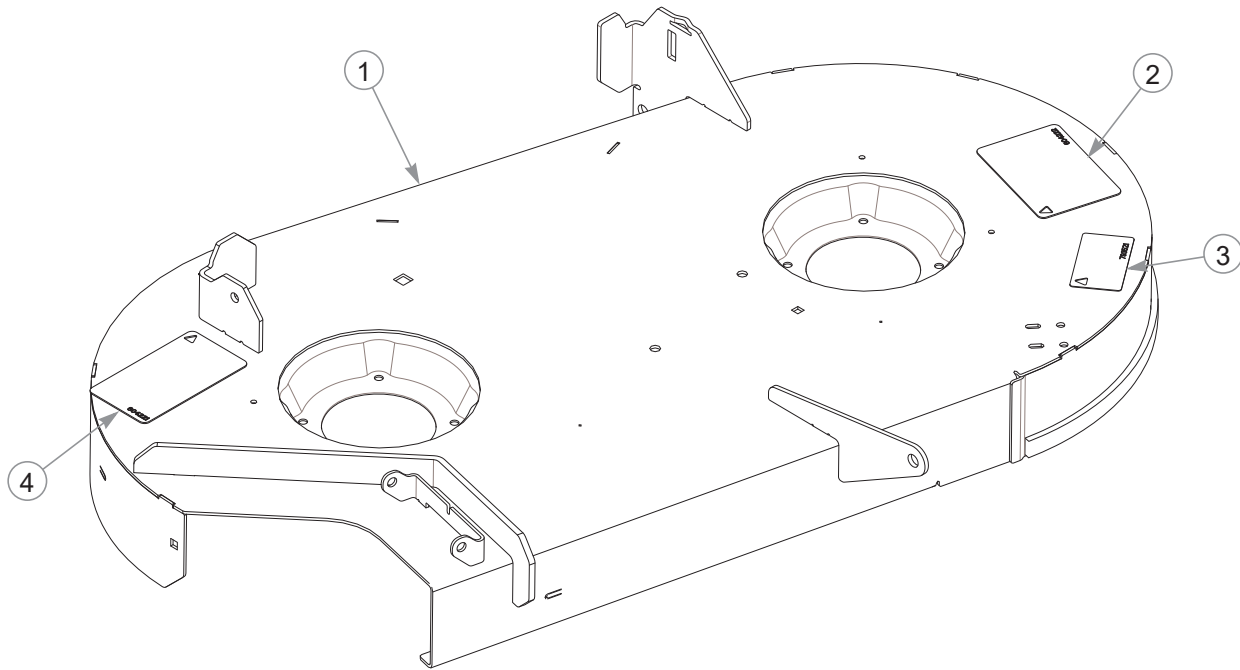
---

### **NOTES:**

1. Torque to 65 N•m.
2. Torque to 3–7 N•m on these self-tapping screws.

---

## **42" Service Deck**



---

INDEX NO.	PART NO.	QTY.	DESCRIPTION
1	554445	1	42" DECK (WITH DECALS)
2	604222	1	DANGER/OBJECTS DECAL
3	793521	1	42" DECK ID DECAL
4	604221	1	DANGER/CHUTE DECAL

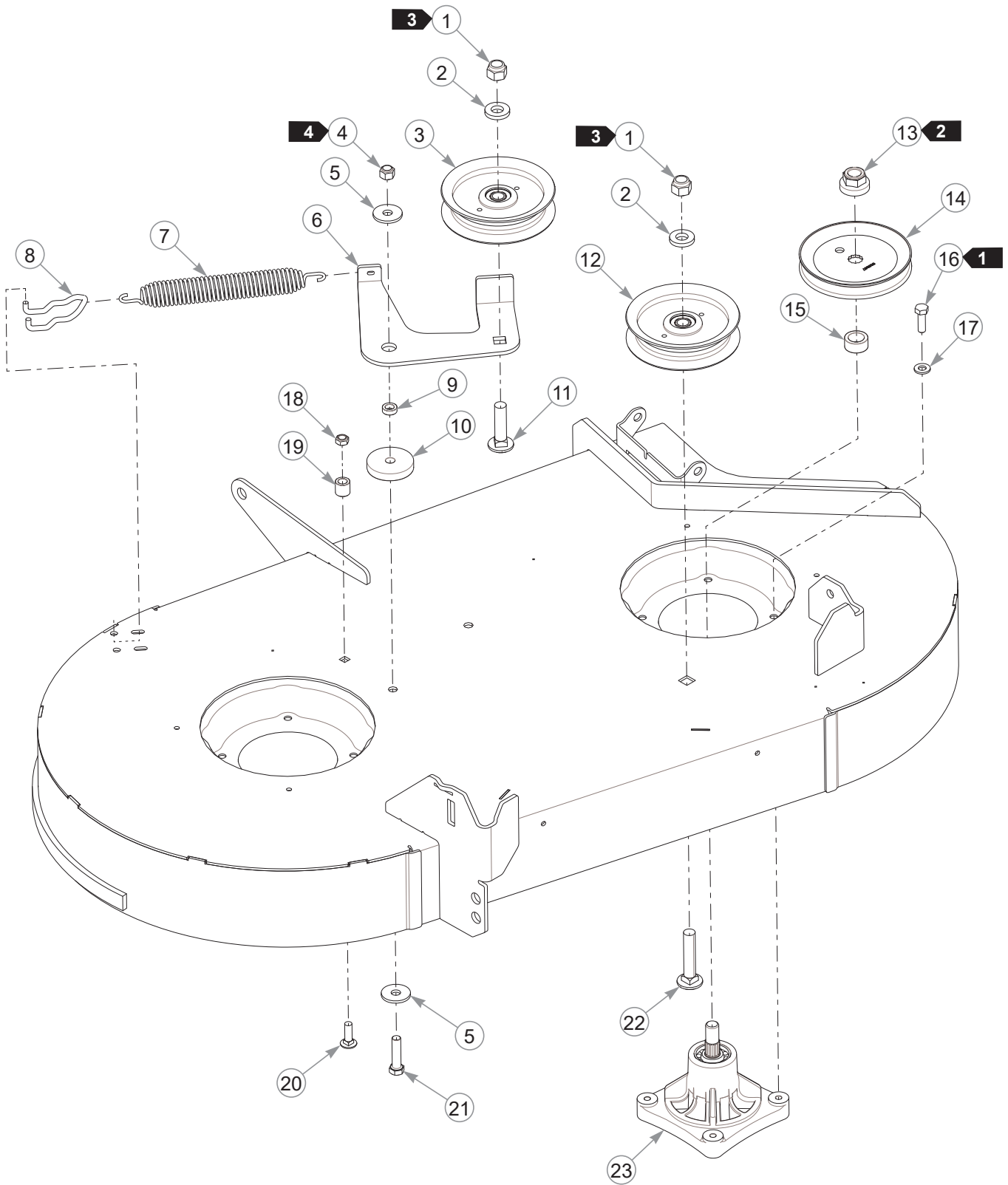
---

### **NOTES:**

---

**This page intentionally left blank.**

# 42" Deck Pulleys & Spindles



---

## **42" Deck Pulleys & Spindles**

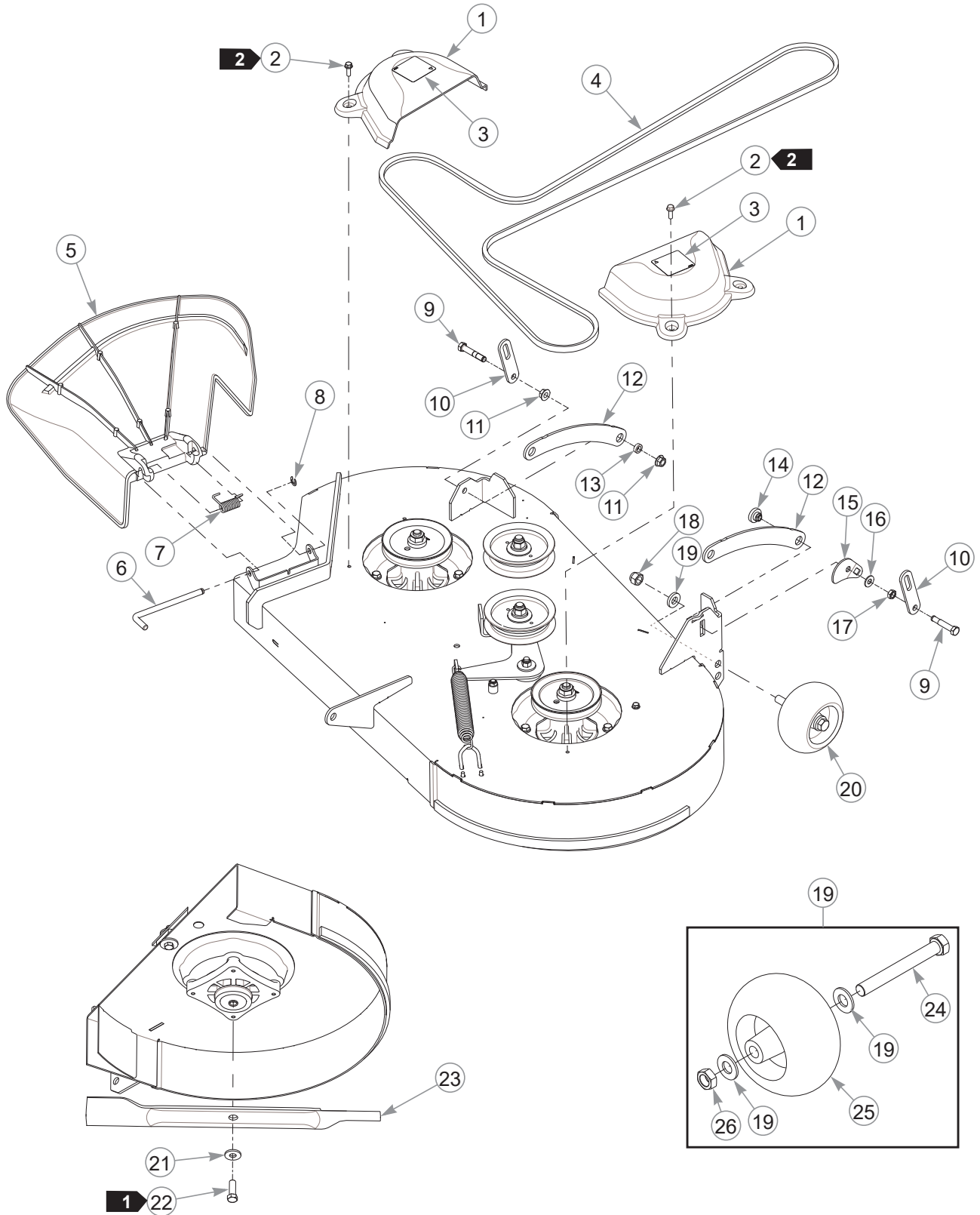
INDEX NO.	PART NO.	QTY.	DESCRIPTION
1	781567	2	NT .500-13 NL
2	767962	2	FW .531 X 1.063 X .175
3	603986	1	IDLER PULLEY, 4.00" FLAT
4	086660	1	NT .375-16 G5 NL
5	712893	2	FW .406 X 1.25 X .12 HRD Z
6	117512	1	IDLER ARM
7	122388	1	IDLER SPRING
8	604110	1	SPRING TENSIONER ANCHOR
9	601839	1	PIVOT SPACER BUSHING
10	117539	1	SPACER
11	604253	1	CB .50-13 X 2.00 STD ZN
12	604219	1	IDLER PULLEY, 4.00" FLAT
13	606943	2	NT .562-18 HX G5 NL
14	603987	2	PULLEY
15	604123	2	PULLEY SPACER
16	036236	8	CS .312-18 X 1.00 HX G5
17	768523	8	FW .343 X .687 X .051/.080H
18	604251	1	NT .312-18 HX NL JAM G2 ZN
19	122398	1	TENSIONING PULLEY STOP
20	037887	1	CB .312-18 X 1.00 FULL ZN
21	080655	1	CS .375-16 X 1.50 HX G5
22	604254	1	CB .50-13 X 2.50 STD ZN
23	604214	2	SPINDLE ASSEMBLY

---

### **NOTES:**

1. Torque to 24 N•m.
2. Torque to 68–102 N•m.
3. Torque to 99 N•m.
4. Torque to 41 N•m. The idler arm should pivot freely.

# 42" Deck





---

## **42" Deck**

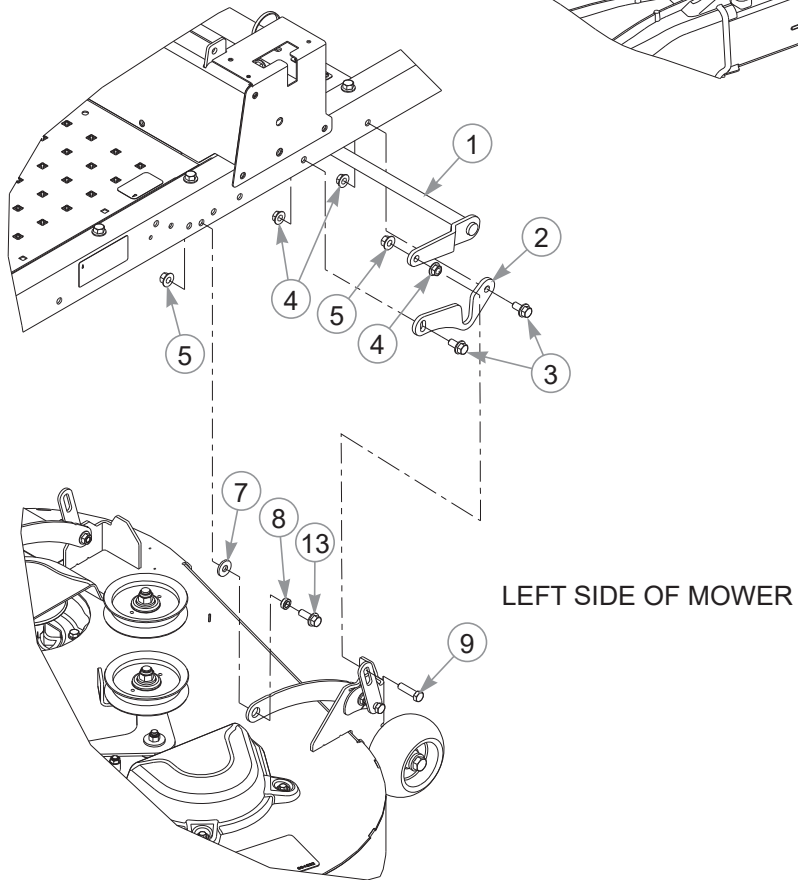
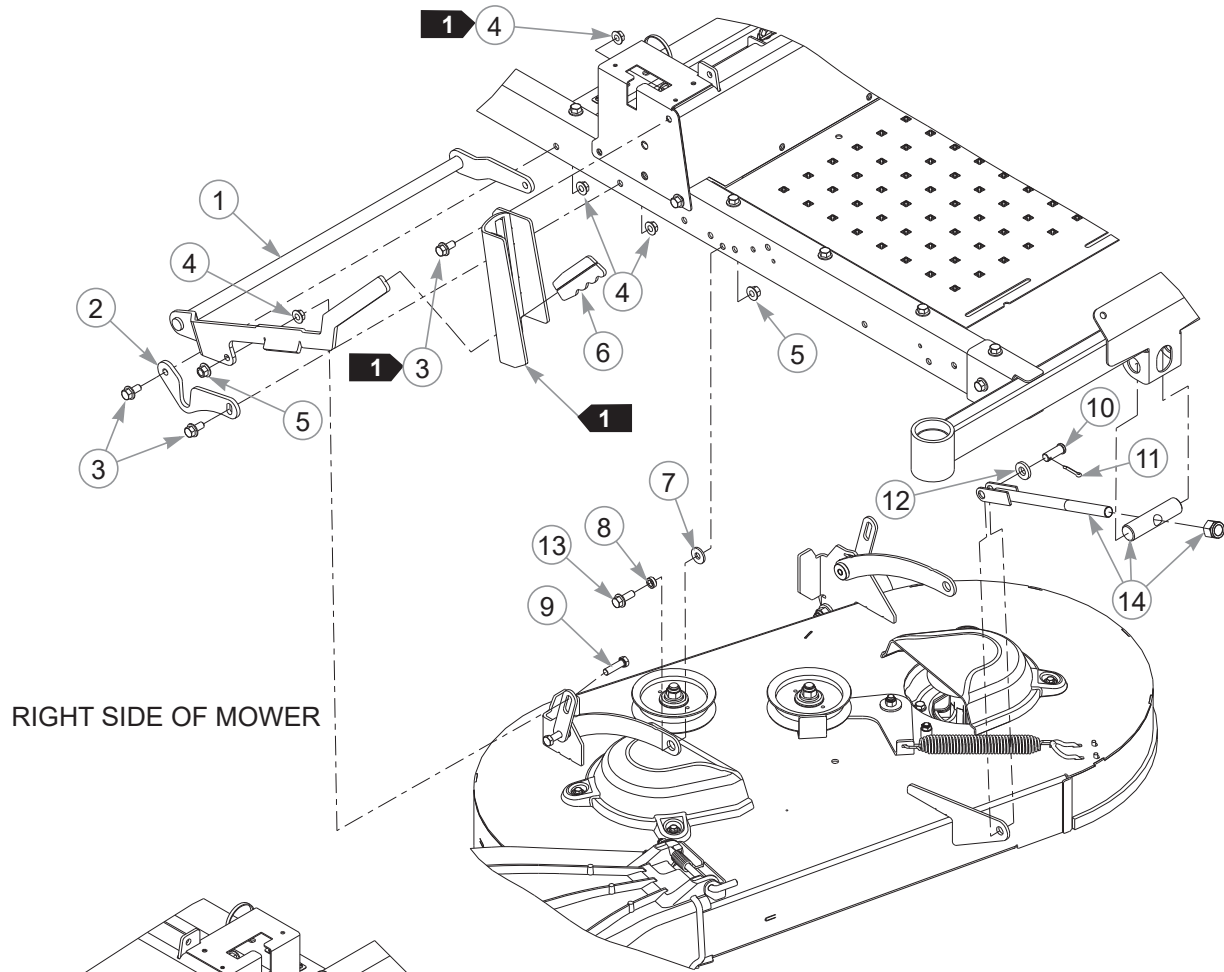
INDEX NO.	PART NO.	QTY.	DESCRIPTION
1	604403	2	PULLEY COVER
2	604324	4	CS .250-20 X .75 HX FLG
3	602562	2	NO SERVICE DECAL
4	793828	1	BELT, A SEC
5	606931	1	DISCHARGE CHUTE
6	606981	1	DISCHARGE CHUTE PIN
7	604331	1	CHUTE SPRING
8	603332	1	CLIP E .66 X .303 X .035
9	606593	2	CS .375-16 X 2.00 HX G5 P85
10	116157	2	DECK LIFT LINK
11	016899	2	NT .375-16 HX FLK G5
12	116155	2	DECK LINK
13	601839	1	PIVOT SPACER BUSHING
14	605016	1	DECK LEVELING NUT
15	116911	1	LEVELER CAM
16	767954	1	FW .379 X .813 X .063
17	706168	1	NT .375-16 HX JAM G5 Z
18	781567	1	NT .500-13 HX G8 ZY NL
19	767962	3	FW .531 X 1.063 X .175
20	788166	1	PLASTIC WHEEL ASSEMBLY
21	602680	2	FW .453 X 1.12 X .119 HRD
22	754101	2	CS .437-20 X 1.25 HX G5 ZNY
23	793794	2	BLADE, 20.50"-L-F-CW
	794685	2	BLADE, F20.50"-H-F-CW
	793935	2	BLADE, 20.50"-CAT-F-CW
	794230	2	BLADE, 20.50"-GAT-F-CW
24	781708	1	CS .500-13 X 4.25 HX G5
25	031997	1	PLASTIC WHEEL
26	053199	1	NT .500-13 HX JAM ZNYC

---

### **NOTES:**

1. Torque to 65 N•m.
2. Torque to 2.8–7 N•m.

# 36"/42" Deck Lift



---

## **36"/42" Deck Lift**

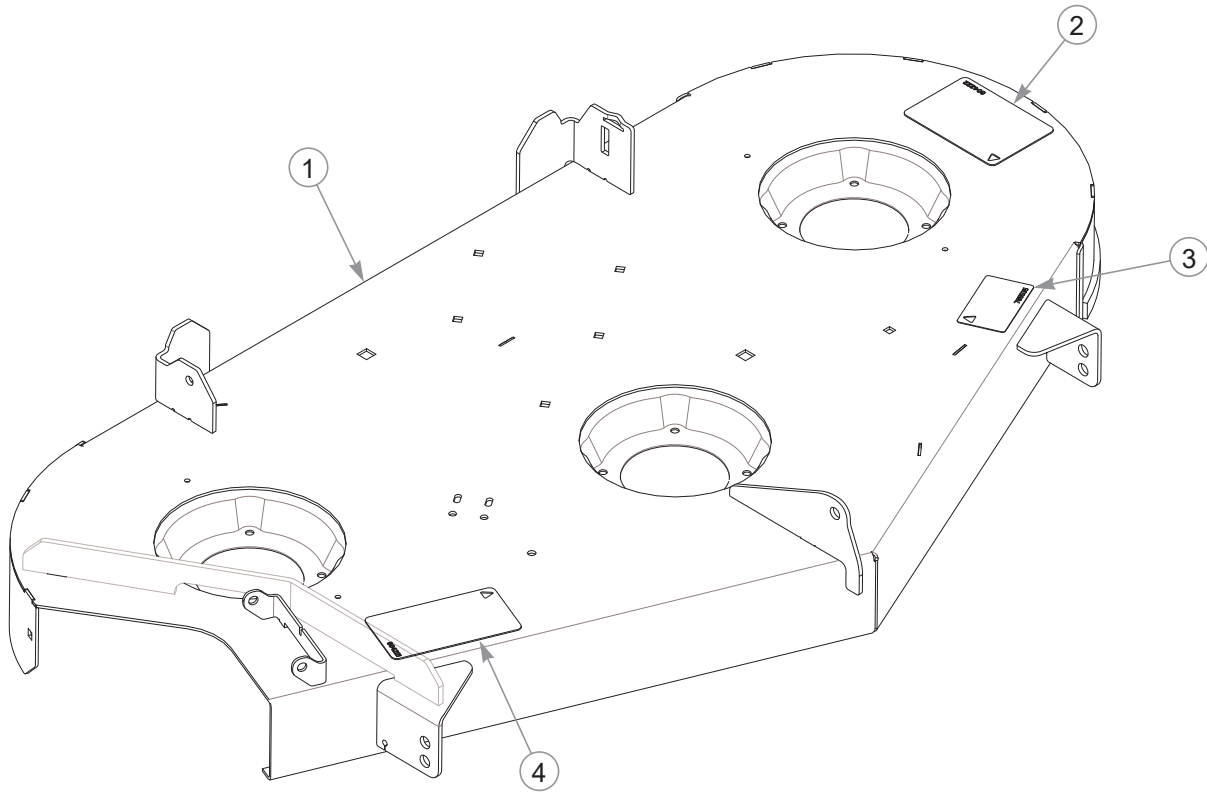
INDEX NO.	PART NO.	QTY.	DESCRIPTION
1	120677	1	LIFT HANDLE
2	116151	2	PIVOT BLOCK
3	029629	4	CS .375-16 X .75 HX FLK
4	016899	6	NT .375-16 HX G5 FLK
5	604515	4	NT .375-16 FL NY GF
6	604377	1	GRIP
7	712919	2	FW .406 X 1.00 X .12 HRD Z
8	601839	2	PIVOT SPACER BUSHING
9	005116	2	CS .375-16 X 1.375 HX G5
10	027714	1	CE .500 X 1.25 X .156 X 1.093
11	017251	1	CP .156D X 1.00 LG HML Z
12	767962	1	FW .531 X 1.063 X .175
13	029751	2	CS .375-16 X 1.00 HX FLK
14	121232	1	DECK PIVOT KIT

---

### **NOTES:**

1. Part of the Steering Cover Assembly.

# 52" Service Deck



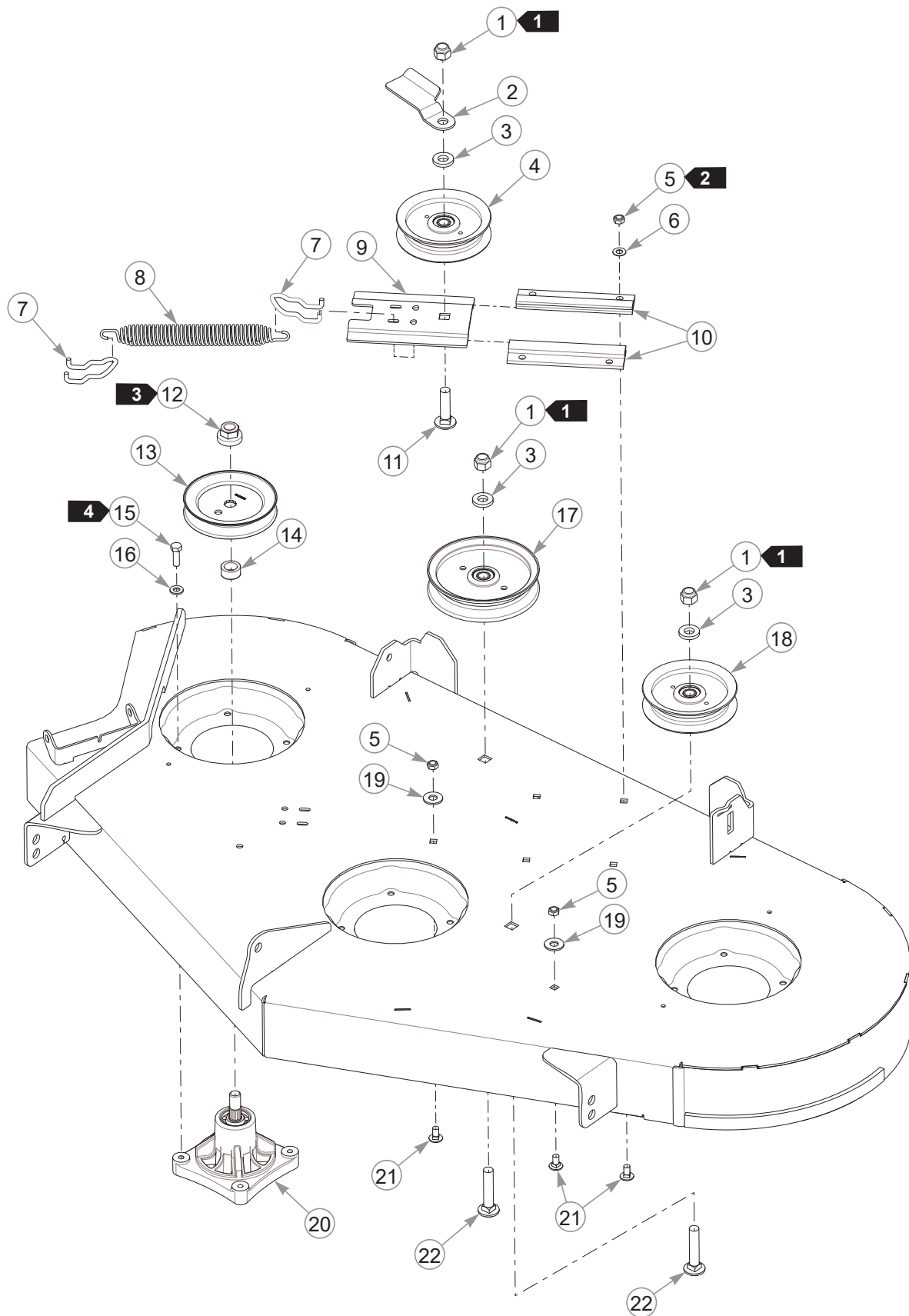
INDEX NO.	PART NO.	QTY.	DESCRIPTION
1	554446	1	52" DECK (WITH DECALS)
2	604222	1	DANGER/OBJECTS DECAL
3	785535	1	52" DECK ID DECAL
4	604221	1	DANGER/CHUTE DECAL

## NOTES:

---

**This page intentionally left blank.**

# 52" Deck Pulleys & Spindles



---

## **52" Deck Pulleys & Spindles**

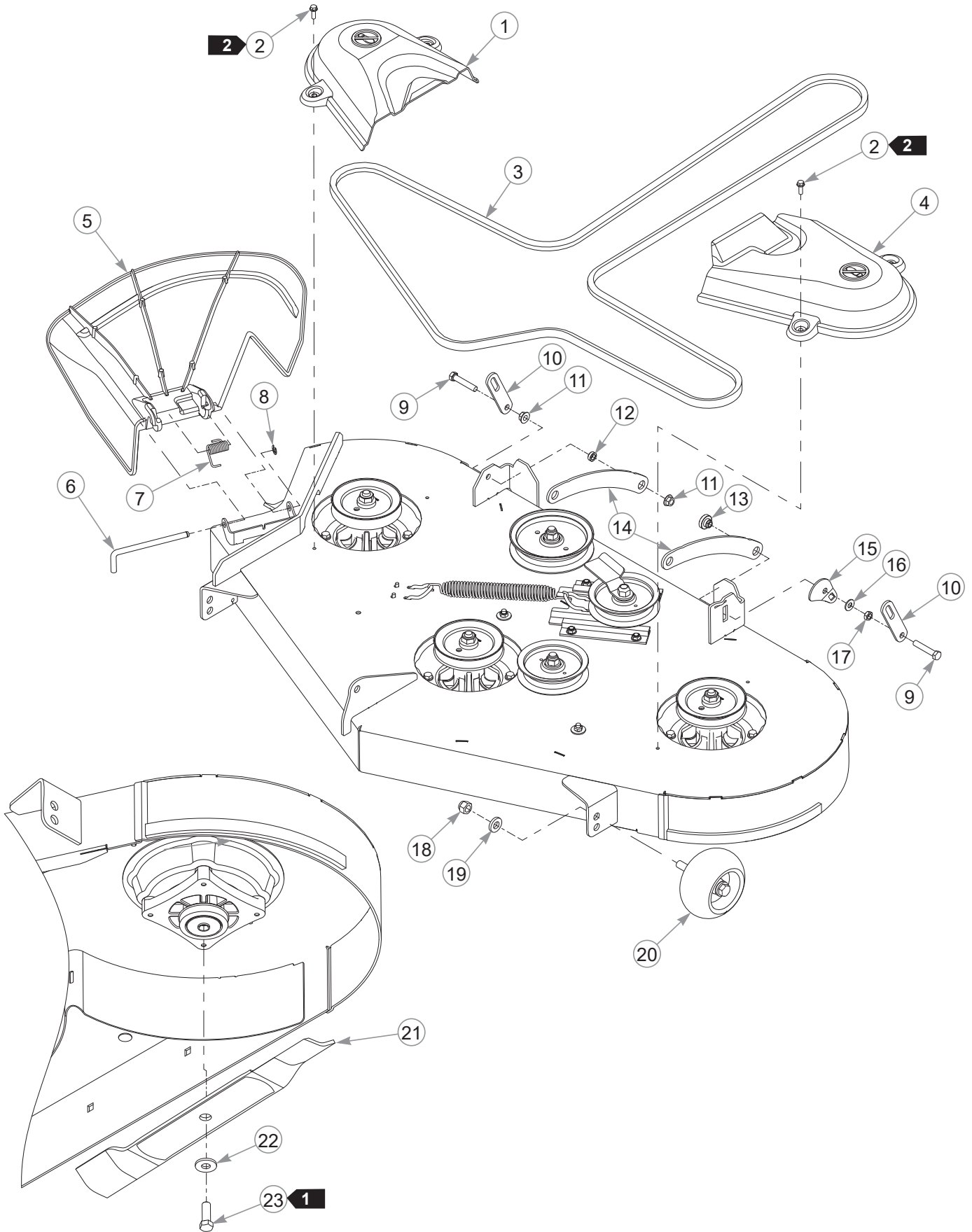
INDEX NO.	PART NO.	QTY.	DESCRIPTION
1	781567	3	NT .500-13 NL
2	121780	1	BELT GUIDE
3	767962	3	FW .531 X 1.063 X .175
4	603986	1	IDLER PULLEY, 4.00" FLAT
5	604251	6	NT .312-18 HX NL JAM G2 ZN
6	604252	4	FW .340 X .675 X .035 ZN
7	604110	2	SPRING TENSIONER ANCHOR
8	122388	1	IDLER SPRING
9	604194	1	IDLER SLED
10	604079	2	IDLER SLIDE
11	604253	1	CB .50-13 X 2.00 STD ZN
12	606943	3	NT .562-18 HX G5 NL
13	603988	3	DRIVE PULLEY "B-SEC"
14	604123	3	PULLEY SPACER
15	036236	12	CS .312-18 X 1.00 HX G5
16	768523	12	FW .343 X .687 X .051/.080H
17	604231	1	IDLER PULLEY, 5.00" O.D.
18	604219	1	IDLER PULLEY, 4.00" FLAT
19	017129	2	FW .440 X 1.00 X .083 ZNY
20	604214	3	SPINDLE ASSEMBLY
21	083147	6	CB .312-18 X .620 G5 ZN
22	604254	2	CB .50-13 X 2.50 STD ZN

---

### **NOTES:**

1. Torque to 99 N•m.
2. Torque to 4–8 N•m.
3. Torque to 68–102 N•m.
4. Torque to 24 N•m.

# 52" Deck





---

## **52" Deck**

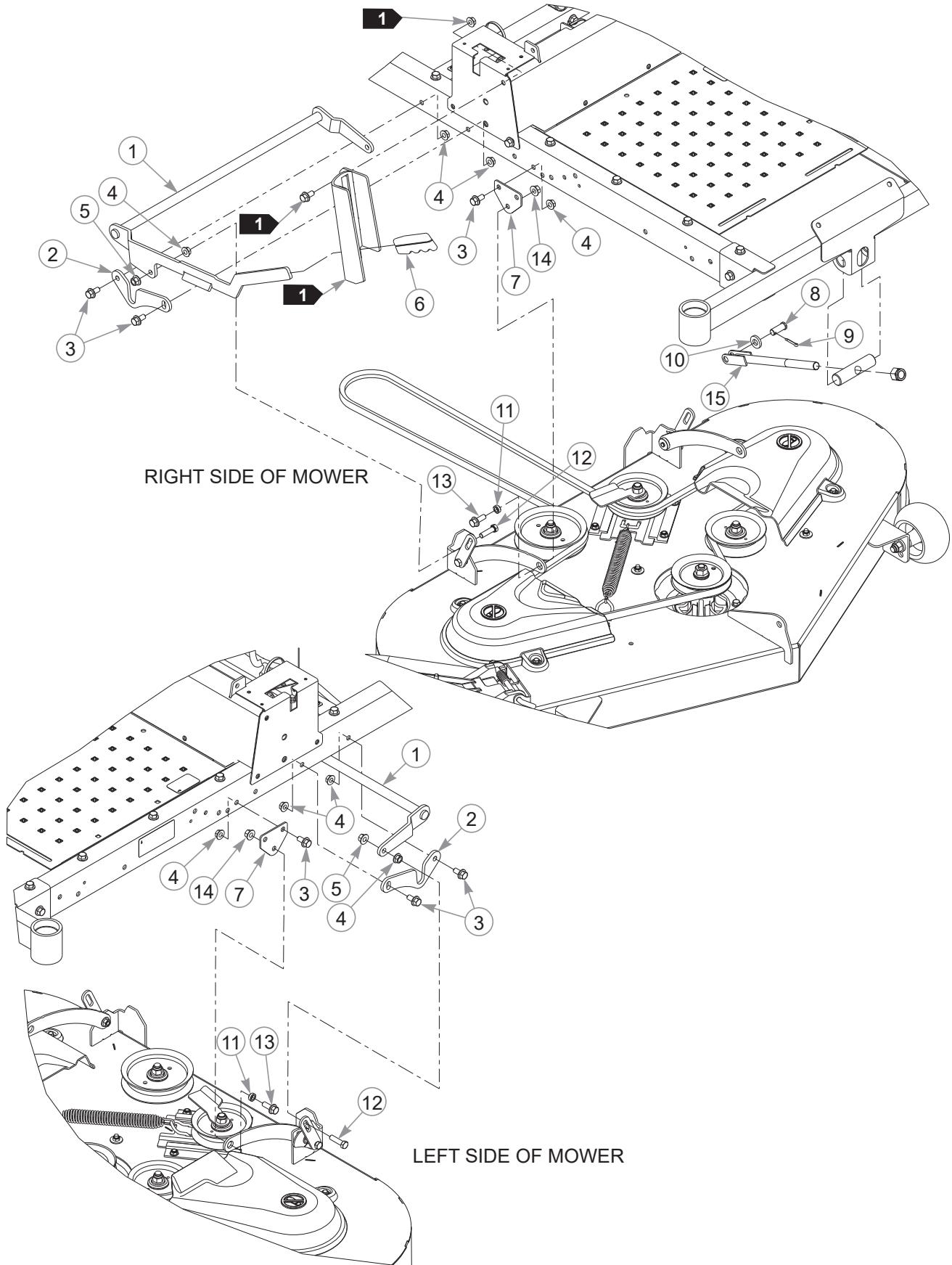
INDEX NO.	PART NO.	QTY.	DESCRIPTION
1	604337	1	RS PULLEY COVER
2	604324	4	CS .250-20 X .75 HX FLG
3	791988	1	BELT, B 140.77" EL
4	604338	1	LS PULLEY COVER
5	606931	1	DISCHARGE CHUTE
6	606981	1	DISCHARGE CHUTE PIN
7	604331	1	CHUTE SPRING
8	603332	1	CLIP E .66 X .303 X .035
9	606593	2	CS .375-16 X 2.00 HX G5 P85
10	117532	2	DECK LIFT LINK
11	016899	2	NT .375-16 HX G5 FLK
12	601839	1	PIVOT SPACER BUSHING
13	605016	1	DECK LEVELING NUT
14	116155	2	DECK LINK
15	116911	1	LEVELER CAM
16	767954	1	FW .379 X .813 X .063
17	706168	1	NT .375-16 HX JAM G5 Z
18	781567	2	NT .500-13 NL
19	767962		FW .531 X 1.063 X .175
20	788166	2	PLASTIC WHEEL ASSEMBLY
21	603995	3	BLADE, 17.86"-M-F-CW
22	602680	3	FW .453 X 1.12 X .119 HRD
23	754101	3	CS .437-20 X 1.25 HX G5 ZNY

---

### **NOTES:**

1. Torque to 65 N•m.
2. Torque to 3–7 N•m on these 4 self-tapping screws.

# 52" Deck Lift



---

## **52" Deck Lift**

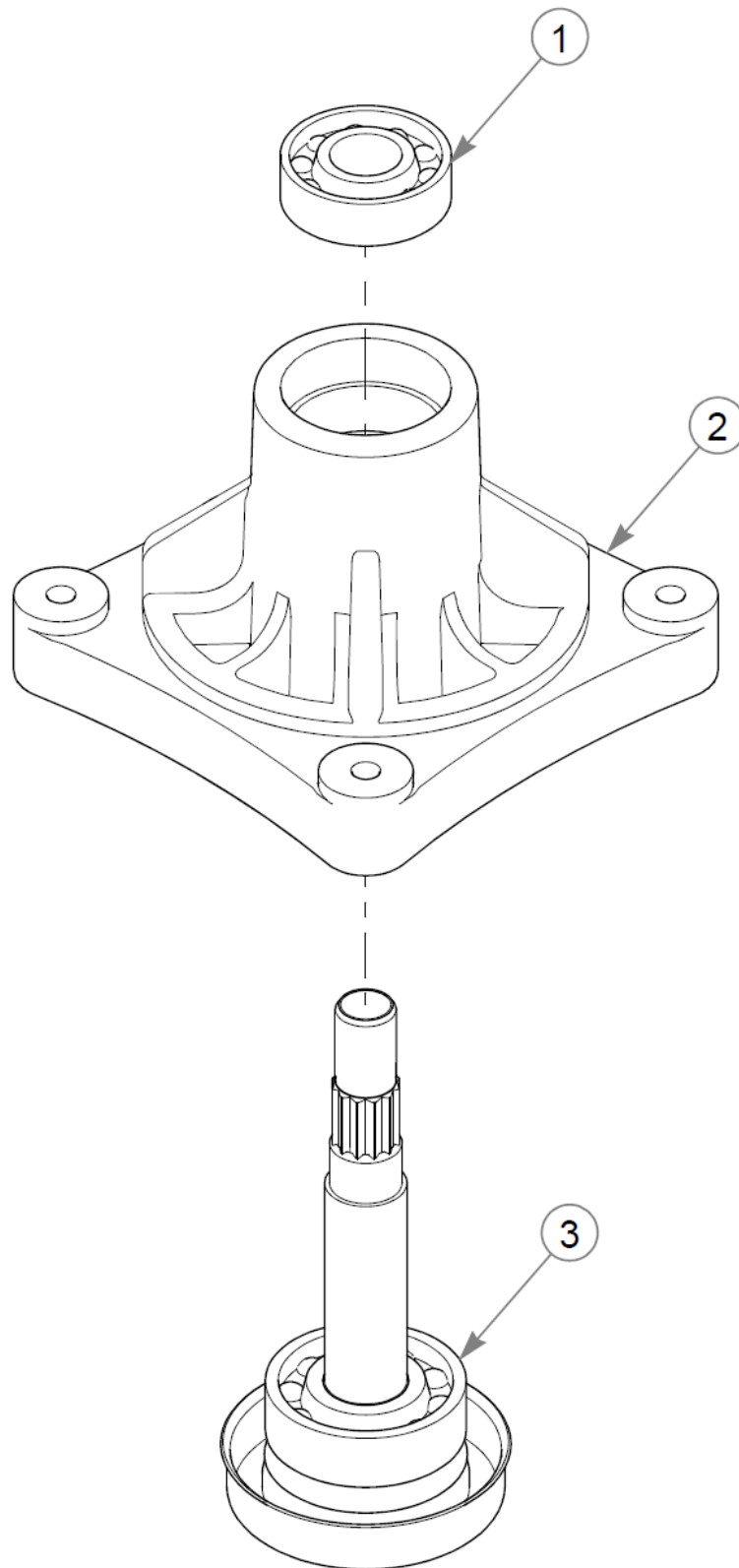
INDEX NO.	PART NO.	QTY.	DESCRIPTION
1	120677	1	LIFT HANDLE
2	116151	2	PIVOT BLOCK
3	029629	8	CS .375-16 X .75 HX FLK
4	016899	10	NT .375-16 HX G5 FLK
5	604515	2	NT .375-16 FL NY GF
6	604377	1	GRIP
7	116916	2	DECK LINK PLATE
8	027714	1	CE .500 X 1.25 X .156 X 1.093
9	017251	1	CP .156D X 1.00 LG HML Z
10	767962	1	FW .531 X 1.063 X .175
11	601839	2	PIVOT SPACER BUSHING
12	005116	2	CS .375-16 X 1.375 HX G5
13	029751	2	CS .375-16 X 1.00 HX FLK
14	604515	2	NT .375-16 FL NY GF
15	121232	1	DECK PIVOT KIT

---

### **NOTES:**

1. Part of the Steering Cover Assembly.

Spindle Service Parts - 604214



## Spindle Service Parts - 604214

Item	Part No.	Qty	Name
1	604019	1	6203 2RST C3
2	604218	1	CAST HOUSING
3	607274	1	SVC SHAFT
3-1	607274-1	1	BALL BEARING 6204 2RST C3 x 607274
3-2	607274-2	1	OIL SEAL x 607274
3-3	607274-3	1	CUP PROTECTION x 607274

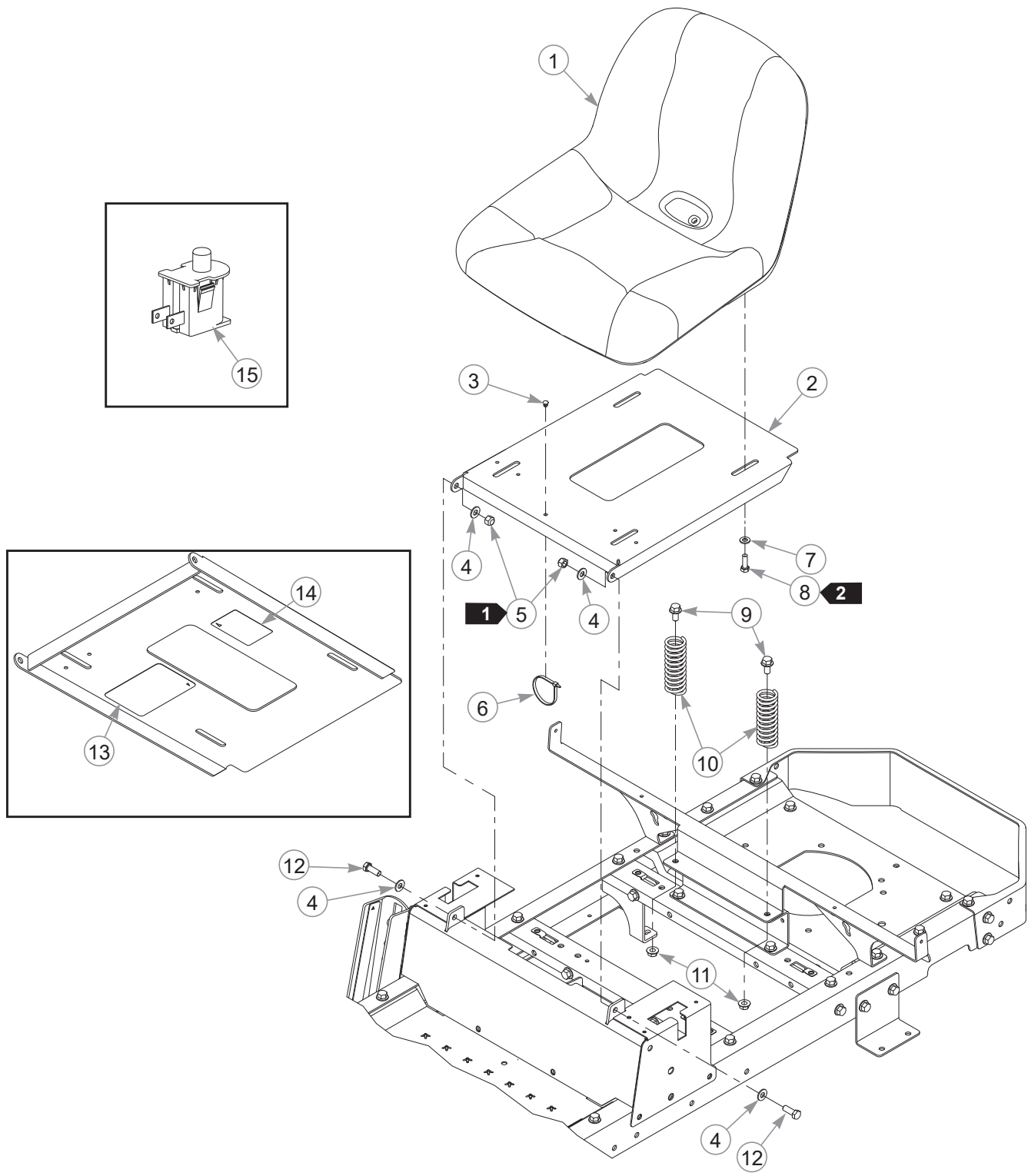
---

---

## Section 7

Seat—Without Armrests . . . . .	7-2
Seat With Armrests, Solid . . . . .	7-4
Seat Service Parts, With Armrests, Solid . . . . .	7-6

# Seat—Without Armrests





---

## **Seat—Without Armrests**

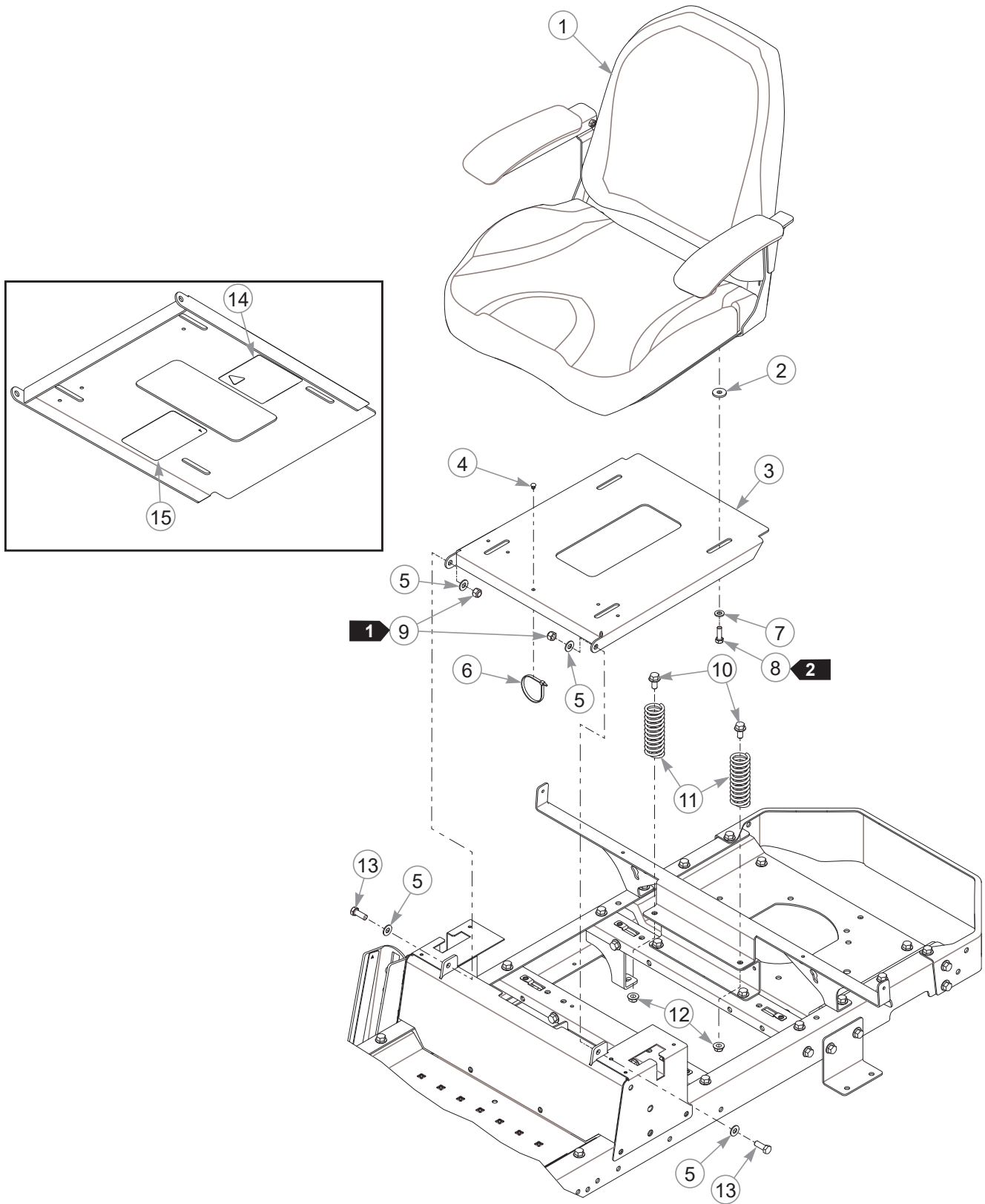
INDEX NO.	PART NO.	QTY.	DESCRIPTION
1	601807	1	STANDARD SEAT
2	551897	1	SEAT PAN (WITH DECALS)
3	604307	1	PUSH BUTTON MOUNT
4	767954	4	FW .379 X .813 X .063
5	086660	2	NT .375-16 G5 NL
6	000331	1	WIRE TIE
7	768523	4	FW .343 X .687 X .051/.080H
8	036236	4	CS .312-18 X 1.00 HX G5
9	029629	2	CS .375-16 X .75 HX FLK
10	793851	2	COMPRESSION SPRING 1.25 X 4.00 X .188
11	016899	2	NT .375-16 HX G5 FLK
12	036244	2	CS .375-16 X 1.00 HX G5
13	601815	1	BATTERY WARNINGS DECAL
14	602243	1	BELT ROUTING DECAL (36"/42" DECK)
	781419	1	BELT ROUTING DECAL (52" DECK)
15	793315	1	SEAT SWITCH

---

### **NOTES:**

1. Do not torque; the seat pan must pivot freely.
2. Torque to 9.5 N•m.

# Seat With Armrests, Solid



---

## **Seat With Armrests, Solid**

INDEX NO.	PART NO.	QTY.	DESCRIPTION
1	606146	1	SEAT
2	712927	4	FW .344 X 1.00 X .12 HRD Z
3	551897	1	SEAT PAN (WITH DECALS)
4	604307	1	PUSH BUTTON MOUNT
5	767954	4	FW .379 X .813 X .063
6	000331	1	WIRE TIE
7	768523	4	FW .343 X .687 X .051/.080H
8	036236	4	CS .312-18 X 1.00 HX G5
9	086660	2	NT .375-16 HX G5 NL
10	029629	2	CS .375-16 X .75 HX FLK
11	793851	2	COMPRESSION SPRING 1.25 X 4.00 X .188
12	016899	2	NT .375-16 HX G5 FLK
13	036244	2	CS .375-16 X 1.00 HX G5
14	781419	1	BELT ROUTING DECAL
15	601815	1	BATTERY WARNINGS DECAL

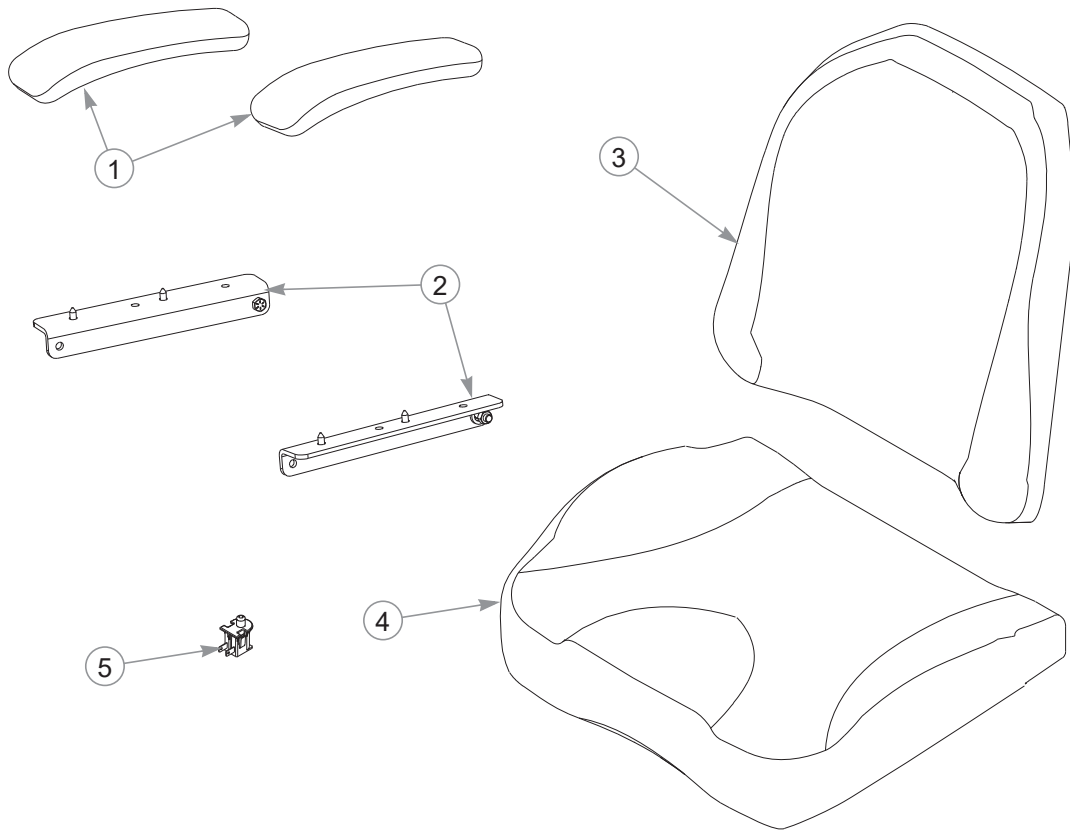
---

### **NOTES:**

1. Do not torque; the seat pan must pivot freely.
2. Torque to 9.5 N•m.

---

## **Seat Service Parts, With Armrests, Solid**



---

INDEX NO.	PART NO.	QTY.	DESCRIPTION
1	606081	1	ARM PADS
2	606085	1	SVC, ARMREST BRACKET SET
3	606147	1	BACK CUSHION
4	606148	1	SEAT CUSHION
5	606082	1	SEAT SWITCH

---

### **NOTES:**